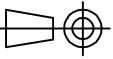
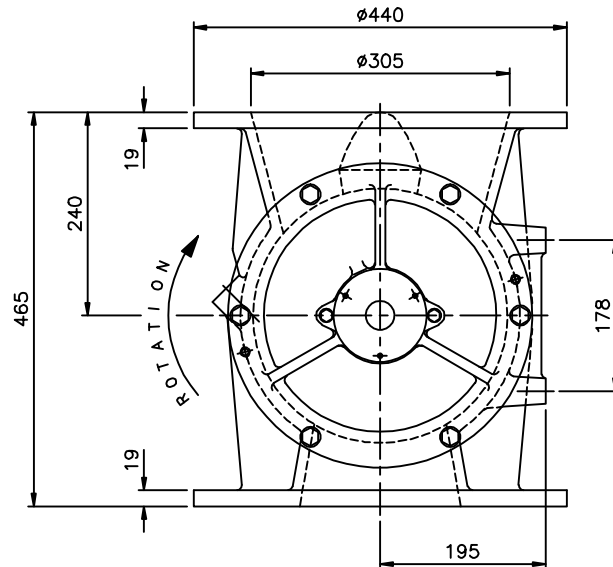
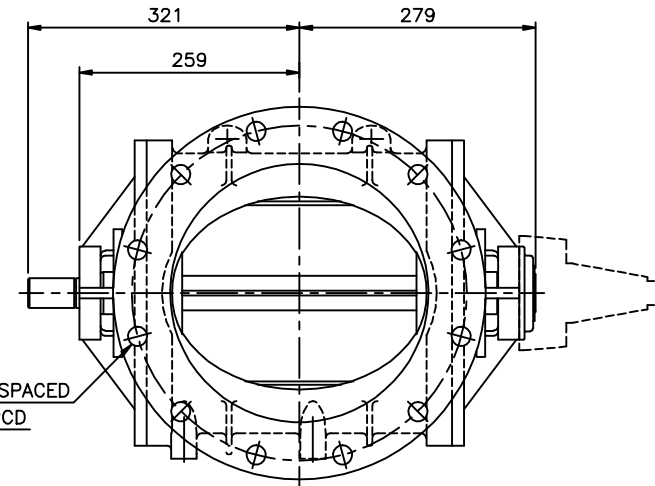


IF IN DOUBT ASK



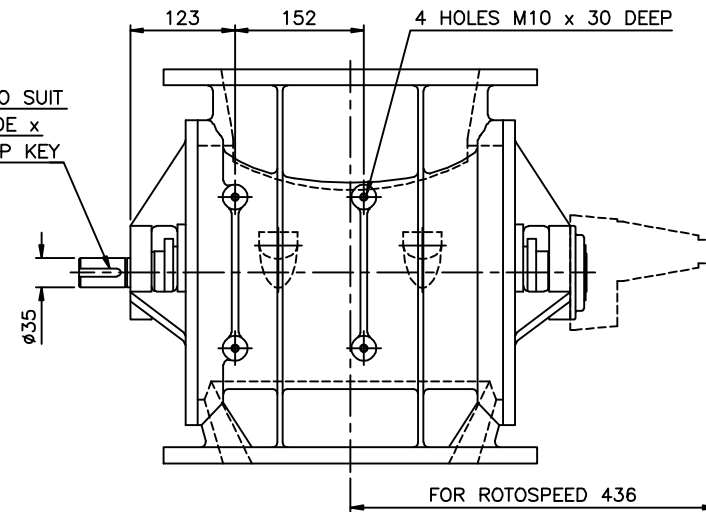
OPTIONS

1. FOR EXPOSED INLET OR OUTLET SAFETY GUARDS ARE REQUIRED.
2. 2 OFF 1" BSP (OR NPT) BODY VENT ON NON-DRIVE SIDE.
3. 1/8" BSP (OR NPT) AIR PURGED END COVER GLANDS.
4. ROTOSPEED SENSOR AS INDICATED.
5. INSPECTION DOOR ON NON-DRIVE SIDE (NOT SHOWN) WITH X x Ymm APERTURE.



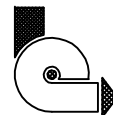
12 HOLES Ø22 EQUI-SPACED
AS SHOWN ON 395 PCD
SAME BOTH FLANGES

KEYWAY TO SUIT
10mm WIDE x
8mm DEEP KEY



| ITEM | PART No. | QTY | DESCRIPTION | MATL. | DWG REF |
|--------------|----------|-----|-----------------------------|----------|---------|
| CLIENT | | | TITLE BARESHAFT ARRANGEMENT | | |
| STANDARD | | | 300mm ROUND ROTARY VALVE | | |
| SCALE N.T.S. | | | DRAWING No. | | |
| | | | 11649 | | |
| DRAWN | | | CHECKED | APPROVED | |
| ΔB | | | | | |
| 9/11/93 | | | | ISSUE D | |

| | | |
|-------------------|---------------------------|--------|
| D | OPTIONS & ROTOSPEED ADDED | (1442) |
| C | MOTOR BOSS LENGTH WAS 185 | |
| B | IMPERIAL EQUIVALENT INLET | (266) |
| AMENDMENTS | | |



ROTOLOK LTD

everything under control . . .

**BAMPTON INDUSTRIAL ESTATE
BAMPTON, DEVON, EX16 9NG.
Tel.: (01398) 331606/7**

This drawing is the property of ROTOLOK LTD and is loaned subject to the condition that it shall not be reproduced, copied, loaned or submitted to others without our consent.