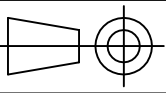
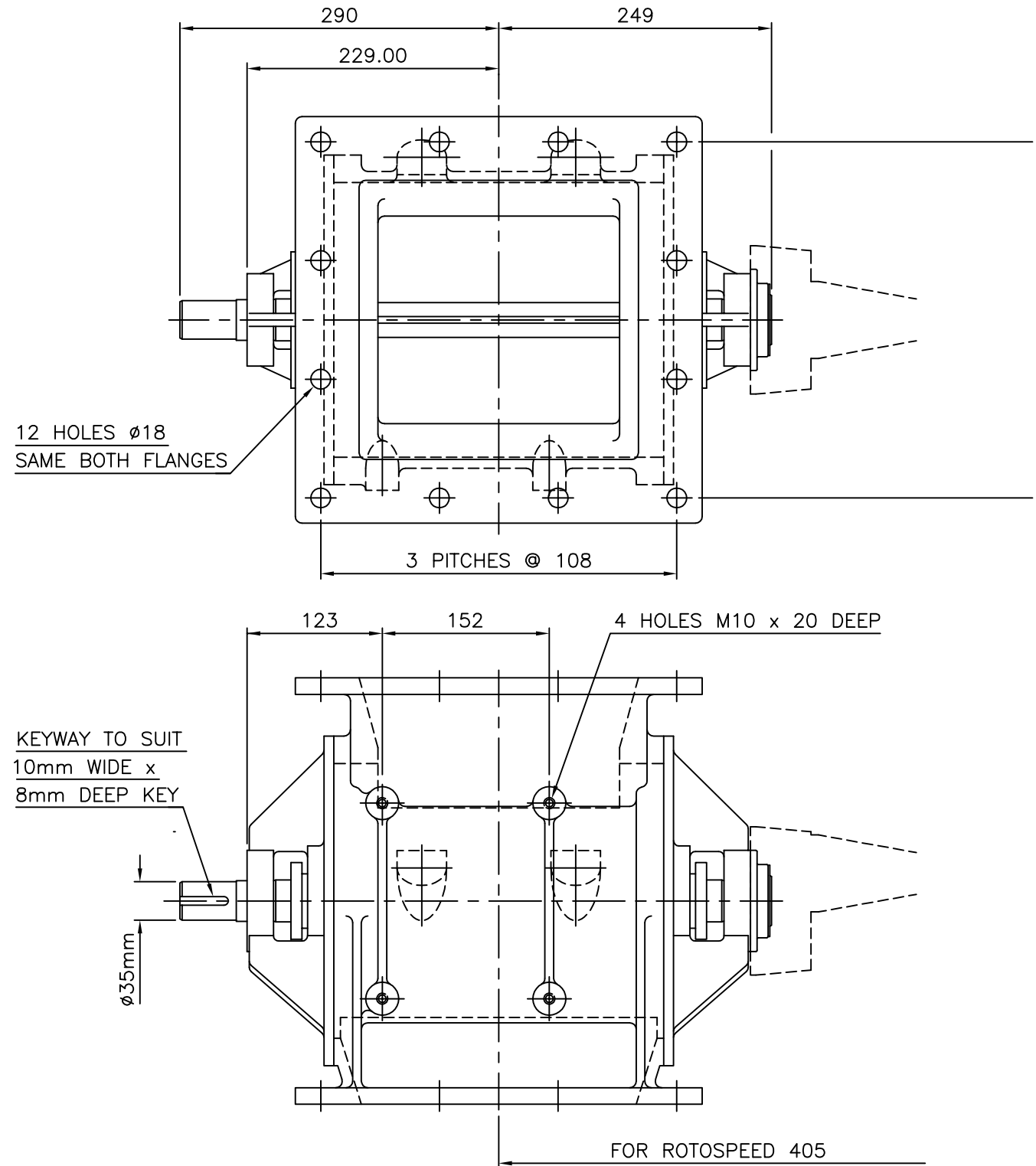
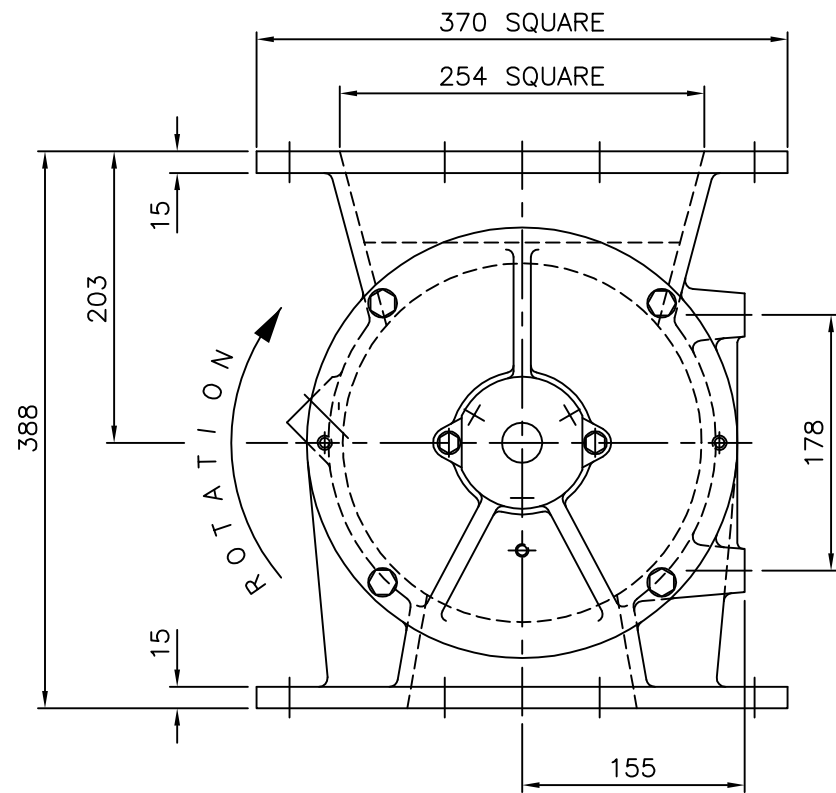


IF IN DOUBT ASK

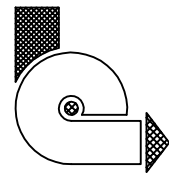


OPTIONS

1. FOR EXPOSED INLET OR OUTLET SAFETY GUARDS ARE REQUIRED.
2. 2 OFF 1" BSP (OR NPT) BODY VENT ON NON-DRIVE SIDE.
3. 1/8" BSP (OR NPT) AIR PURGED END COVER GLANDS.
4. ROTOSPEED SENSOR AS INDICATED.
5. INSPECTION DOOR ON NON-DRIVE SIDE (NOT SHOWN) WITH 194 x 64mm APERTURE.



ITEM	PART No.	QTY	DESCRIPTION	MATL.	DWG REF
CLIENT			TITLE BARESHAFT ARRANGEMENT		
STANDARD			250mm SQUARE ROTARY VALVE		
SCALE N.T.S.			DRAWING No.		
DRAWN			11648		
CHECKED			ISSUE E		
APPROVED					
9/11/93					



ROTOLOK LTD

everything under control . . .

BAMPTON INDUSTRIAL ESTATE
BAMPTON, DEVON, EX16 9NG.
Tel.: (0398) 331606/7

This drawing is the property of ROTOLOK LTD and is loaned subject to the condition that it shall not be reproduced, copied, loaned or submitted to others without our consent.

AMENDMENTS		
E	OPTIONS & ROTOSPEED ADDED	(1442)
D	VALVE SHAFT WAS $\varnothing 28\text{mm}$.	(662)
C	MOTOR BOSSES WERE 94 FROM END	(341)
B	IMPERIAL EQUIVALENT INLET	(266)