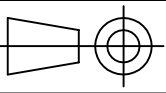
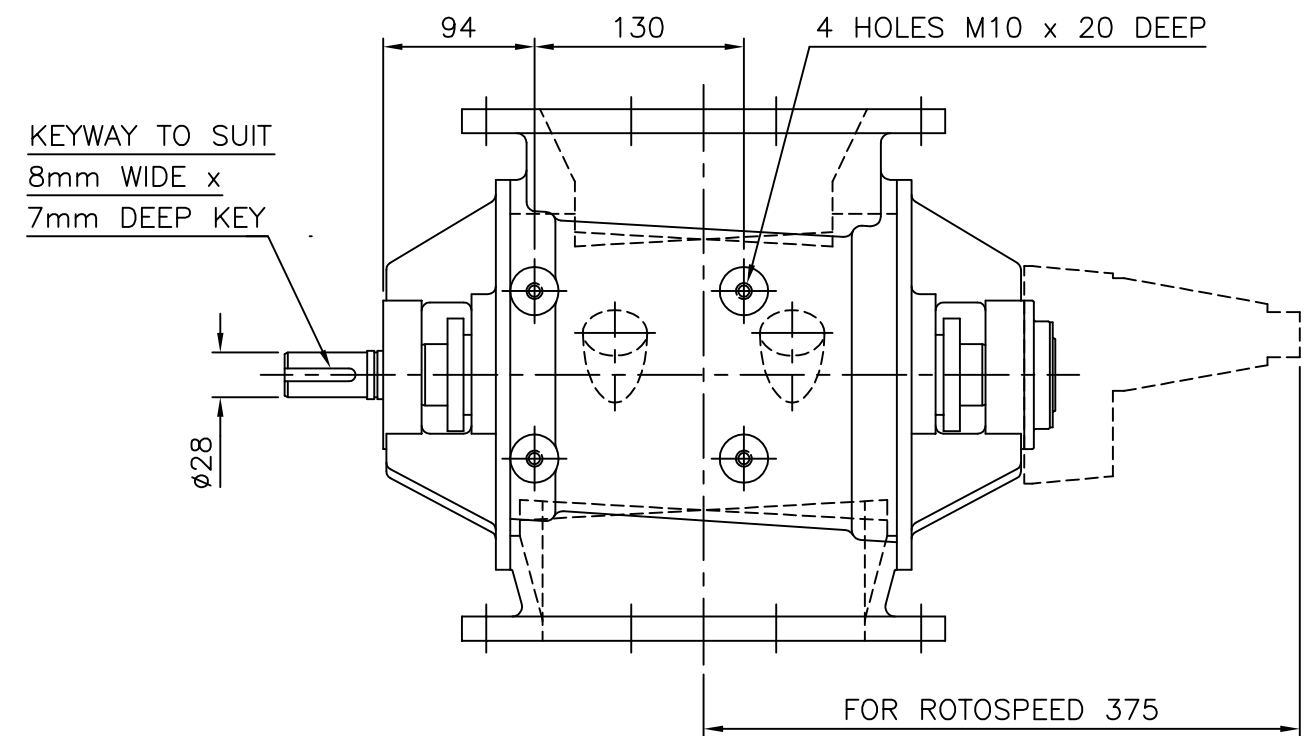
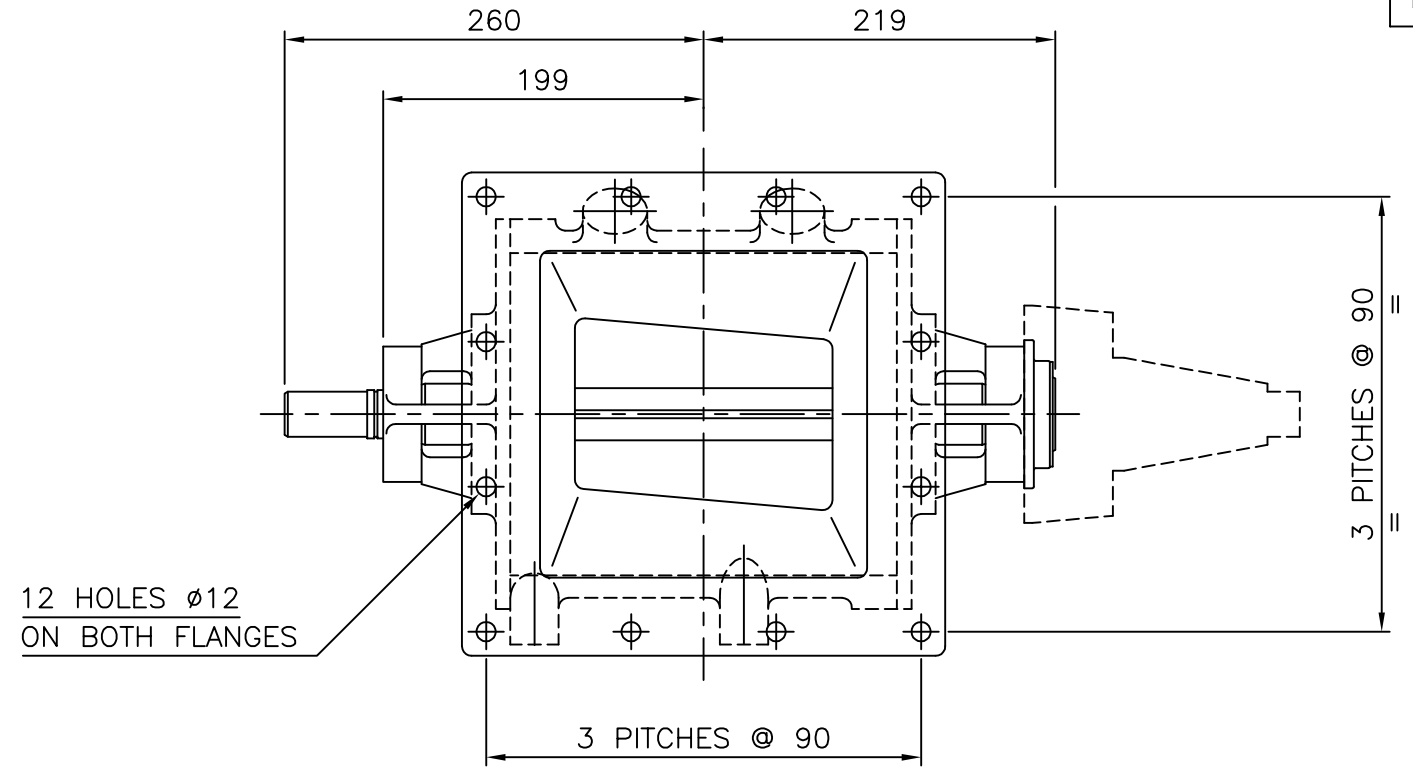
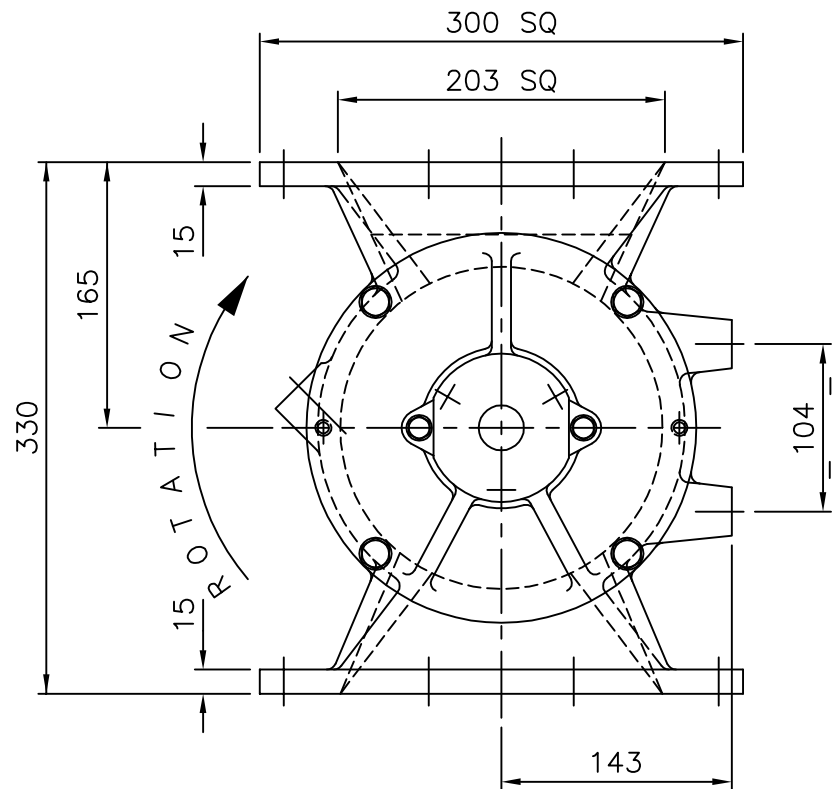


IF IN DOUBT ASK

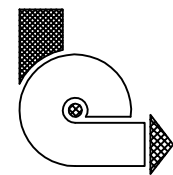


OPTIONS

1. FOR EXPOSED INLET OR OUTLET SAFETY GUARDS ARE REQUIRED.
2. 2 OFF 1" BSP (OR NPT) BODY VENT ON NON-DRIVE SIDE.
3. 1/8" BSP (OR NPT) AIR PURGED END COVER GLANDS.
4. ROTOSPEED SENSOR AS INDICATED.
5. INSPECTION DOOR ON NON-DRIVE SIDE (NOT SHOWN) WITH 166 x 50mm APERTURE.



ITEM	PART No.	QTY	DESCRIPTION	MATL.	DWG REF
CLIENT			TITLE		
STANDARD			BARESHAFT ARRANGEMENT		
SCALE			200mm SQUARE ROTARY VALVE		
N.T.S.			DRAWING No.		
			11646		
DRAWN	CHECKED	APPROVED	ISSUE		E
D.T.J.H.					
29.11.93					



ROTOLOK LTD

everything under control . . .

BAMPTON INDUSTRIAL ESTATE
BAMPTON, DEVON, EX16 9NG.
Tel.: (0398) 331606/7

This drawing is the property of ROTOLOK LTD and is loaned subject to the condition that it shall not be reproduced, copied, loaned or submitted to others without our consent.

AMENDMENTS		
E	OPTIONS & ROTOSPEED ADDED	(1442)
D	DIMENSION 143 WAS 150	
C	MOTOR BOSS WAS 133	342
B	IMPERIAL EQUIVALENT INLET	266