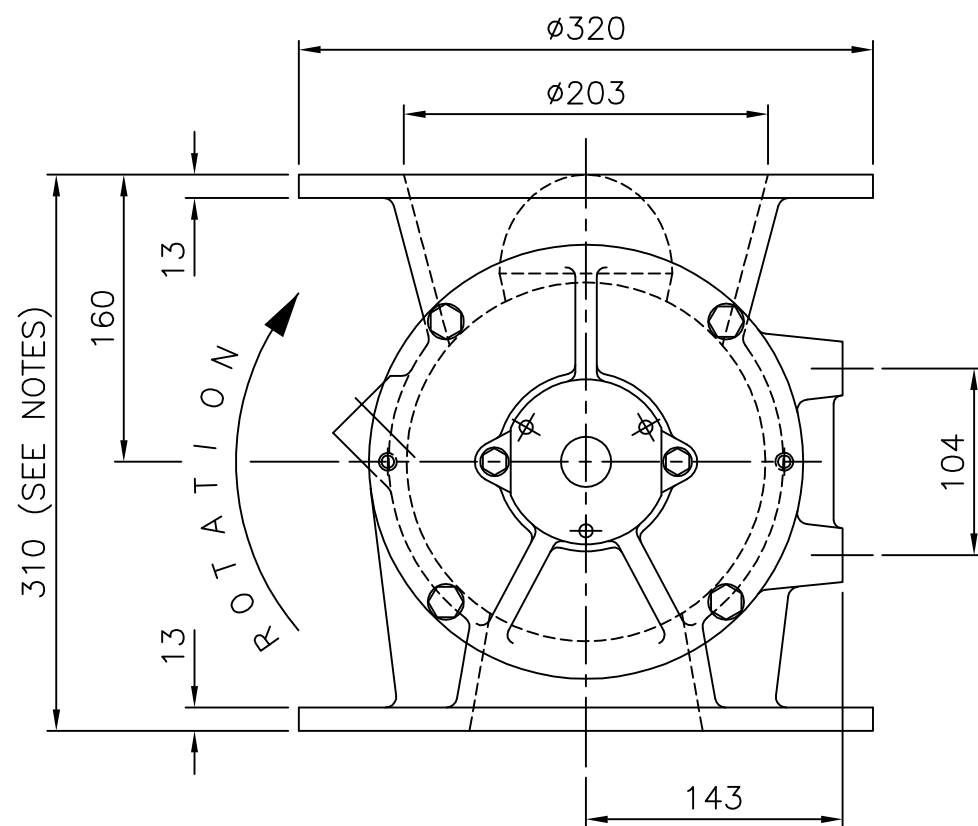
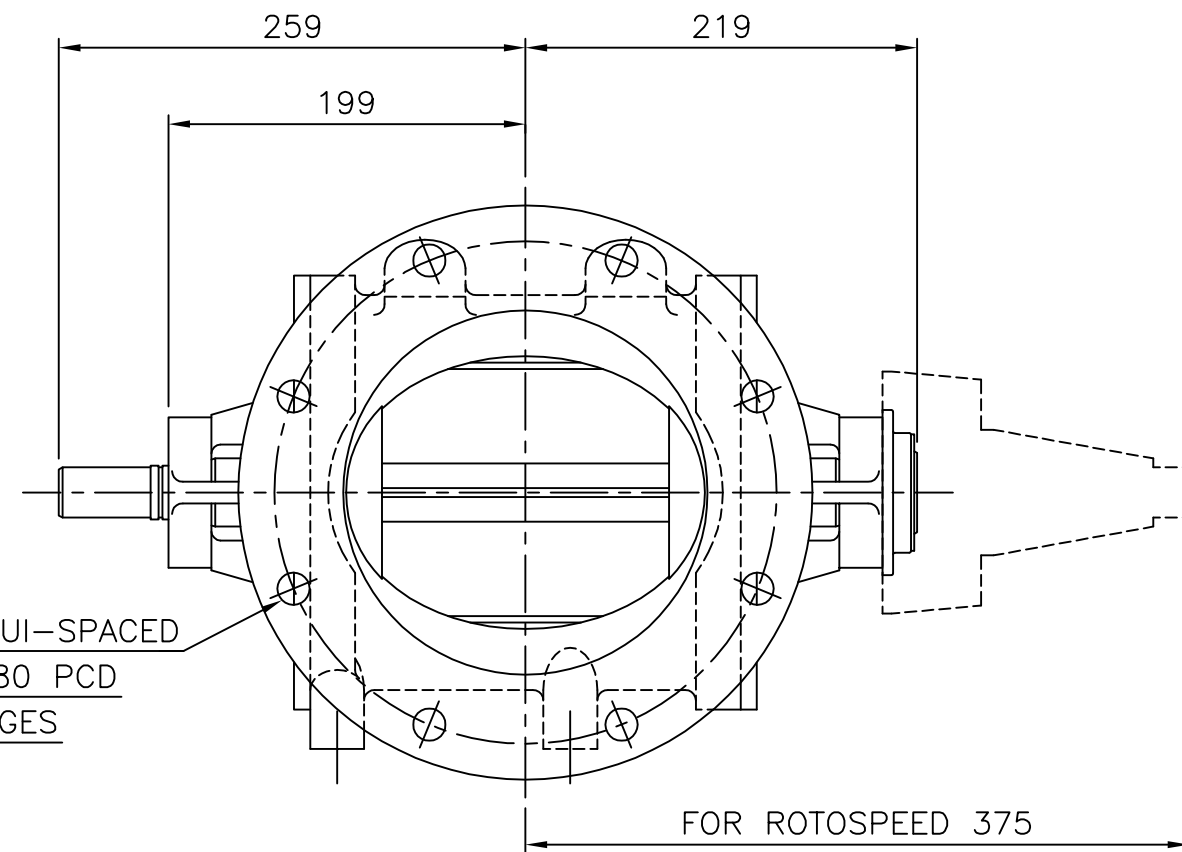


IF IN DOUBT ASK

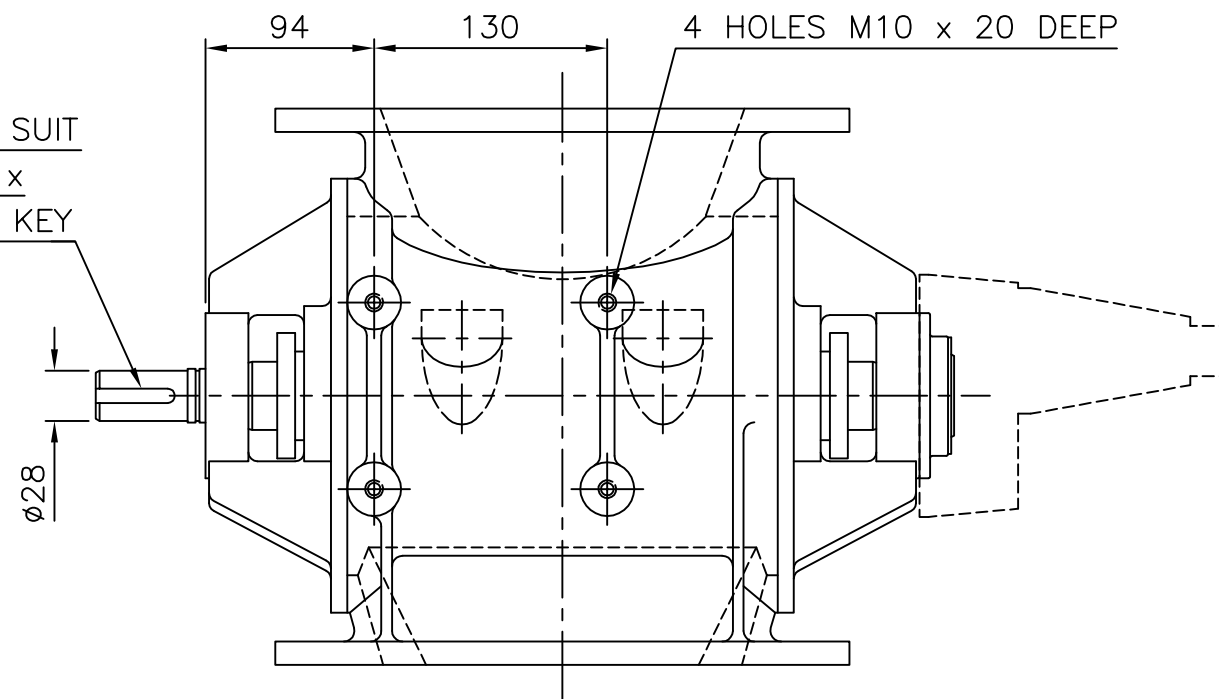
OPTIONS

1. FOR EXPOSED INLET OR OUTLET SAFETY GUARDS ARE REQUIRED.
2. 2 OFF 1" BSP (OR NPT) BODY VENT ON NON-DRIVE SIDE.
3. 1/8" BSP (OR NPT) AIR PURGED END COVER GLANDS.
4. ROTOSPEED SENSOR AS INDICATED.
5. INSPECTION DOOR ON NON-DRIVE SIDE (NOT SHOWN) WITH 166 x 50mm APERTURE.

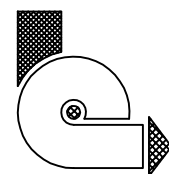


8 HOLES Ø18 EQUI-SPACED
AS SHOWN ON 280 PCD
SAME BOTH FLANGES

KEYWAY TO SUIT
8mm WIDE x
7mm DEEP KEY



ITEM	PART No.	QTY	DESCRIPTION	MATL.	DWG REF
CLIENT			TITLE BARESHAFT ARRANGEMENT		
STANDARD			200mm ROUND ROTARY VALVE		
SCALE N.T.S.			DRAWING No.		
DRAWN			11645		
CHECKED			ISSUE E		
APPROVED					
1/12/93					



ROTOLOK LTD

everything under control . . .

1 MILLENNIUM PLACE,
TIVERTON BUSINESS PARK,
TIVERTON, DEVON, EX16 6SB.
Tel: 01884 232232

This drawing is the property of ROTOLOK LTD and is loaned subject to the condition that it shall not be reproduced, copied, loaned or submitted to others without our consent.

AMENDMENTS	
E	OPTIONS & ROTOSPEED ADDED (1442)
D	MOTOR BOSS HEIGHT WAS 150
C	OVERALL HEIGHT AMENDED (1372)
B	IMPERIAL EQUIVALENT INLET (266)