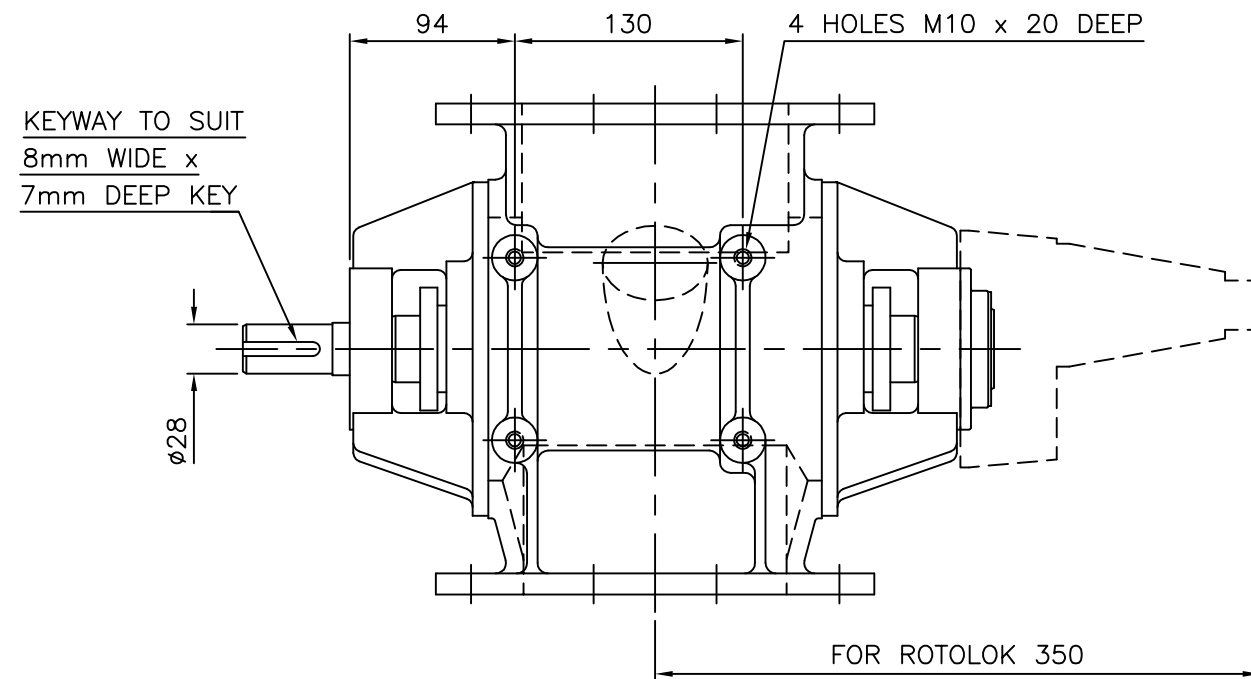
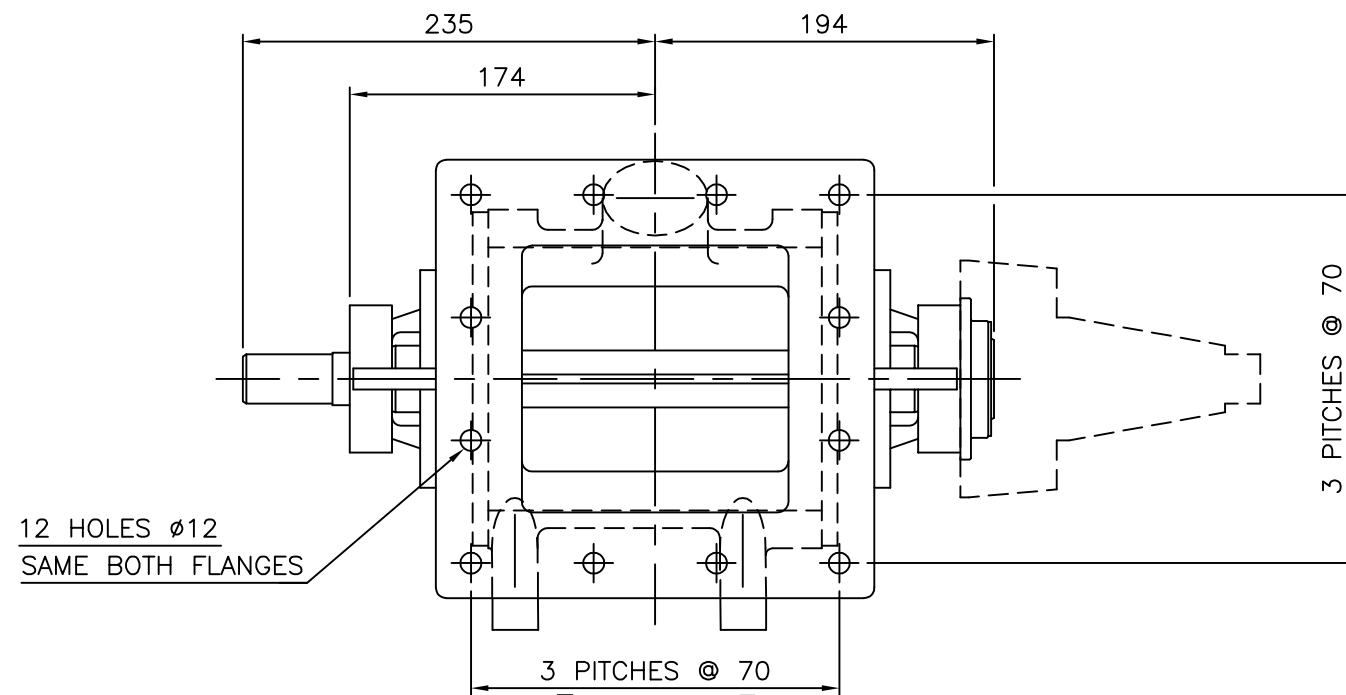
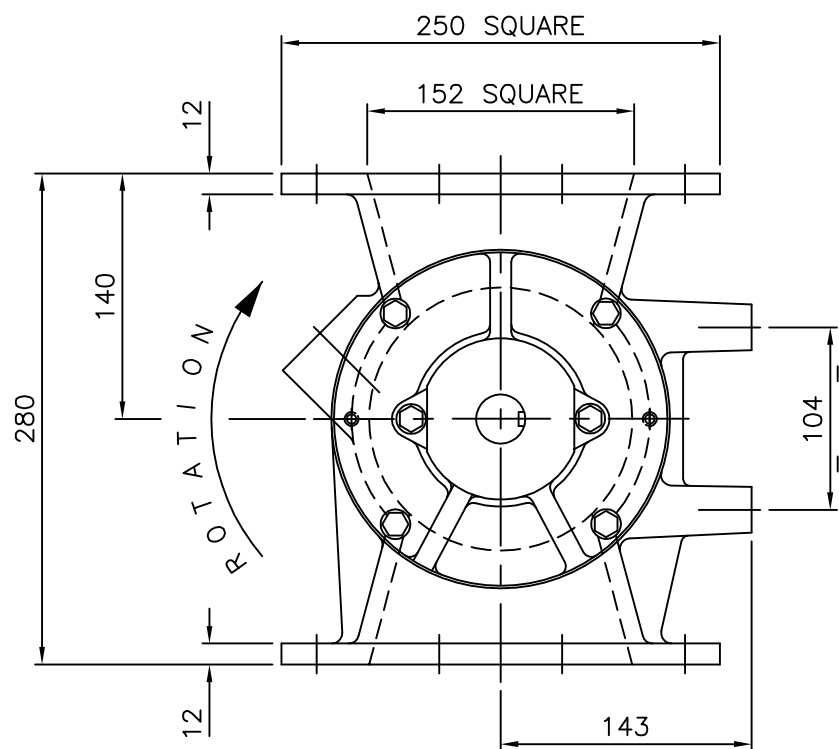


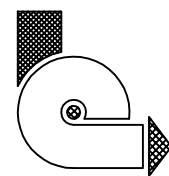
IF IN DOUBT ASK

OPTIONS

1. FOR EXPOSED INLET OR OUTLET SAFETY GUARDS ARE REQUIRED.
2. 1 OFF 1" BSP (OR NPT) BODY VENT ON NON-DRIVE SIDE.
3. 1/8" BSP (OR NPT) AIR PURGED END COVER GLANDS.
4. ROTOSPEED SENSOR AS INDICATED.
5. INSPECTION DOOR ON NON-DRIVE SIDE (NOT SHOWN) WITH 95 x 85mm APERTURE.



ITEM	PART No.	QTY	DESCRIPTION	MATL.	DWG REF
CLIENT			TITLE	BARESHAFT ARRANGEMENTS	
STANDARD			150mm SQUARE ROTARY VALVE		
SCALE			DRAWING No.	11644	
N.T.S.			ISSUE C		
DRAWN	CHECKED	APPROVED			
JB					
31/3/94					



ROTOLOK LTD

everything under control . . .

1 MILLENNIUM PLACE,
TIVERTON BUSINESS PARK,
TIVERTON, DEVON, EX16 6SB.
Tel: 01884 232232

This drawing is the property of ROTOLOK LTD and is loaned subject to the condition that it shall not be reproduced, copied, loaned or submitted to others without our consent.

C	OPTIONS & ROTOSPEED ADDED (1442)
B	DIMENSION 143 WAS 109
AMENDMENTS	