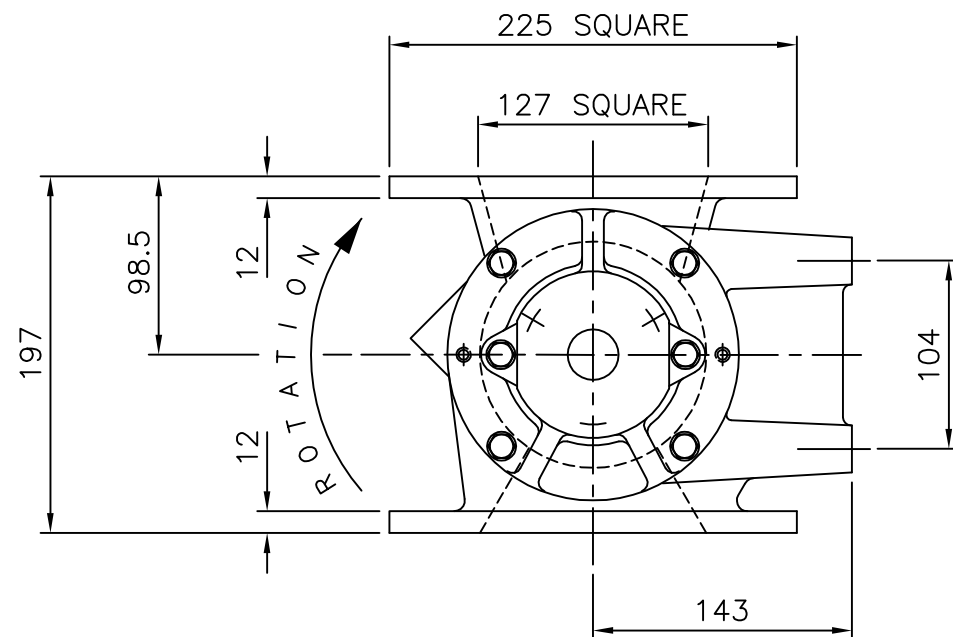
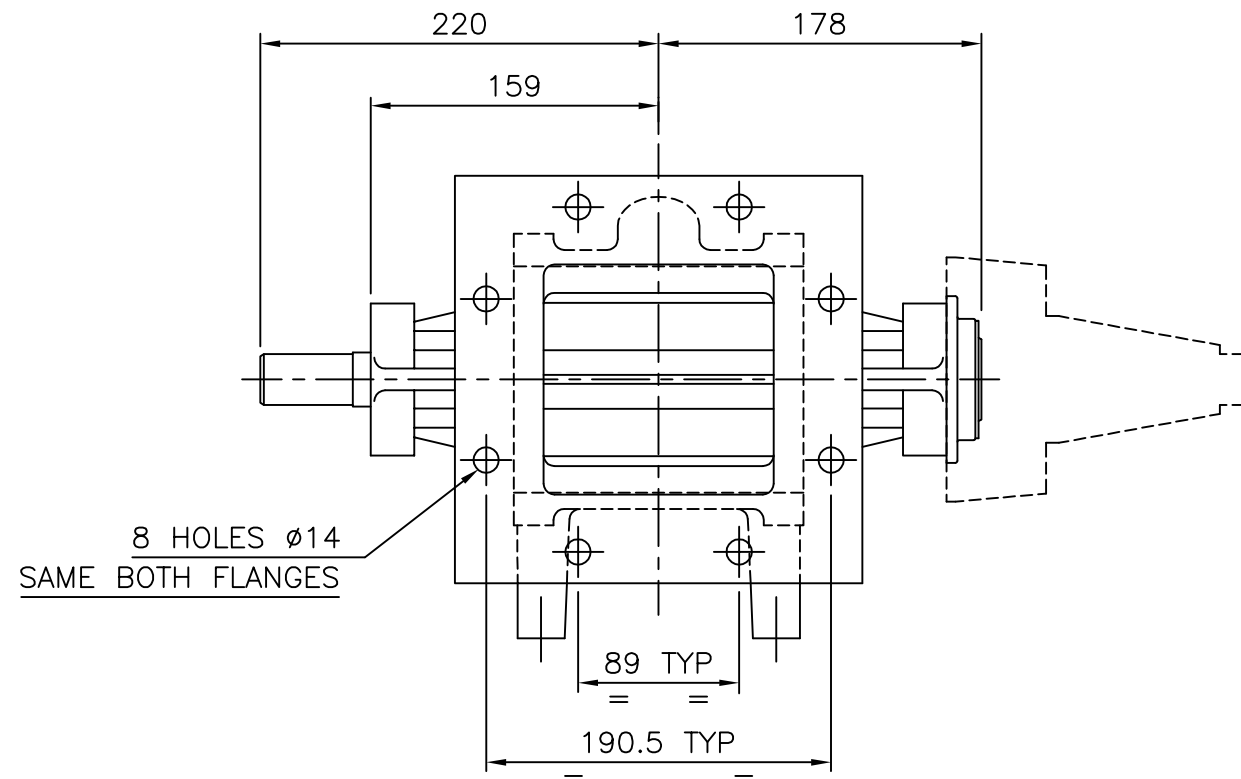


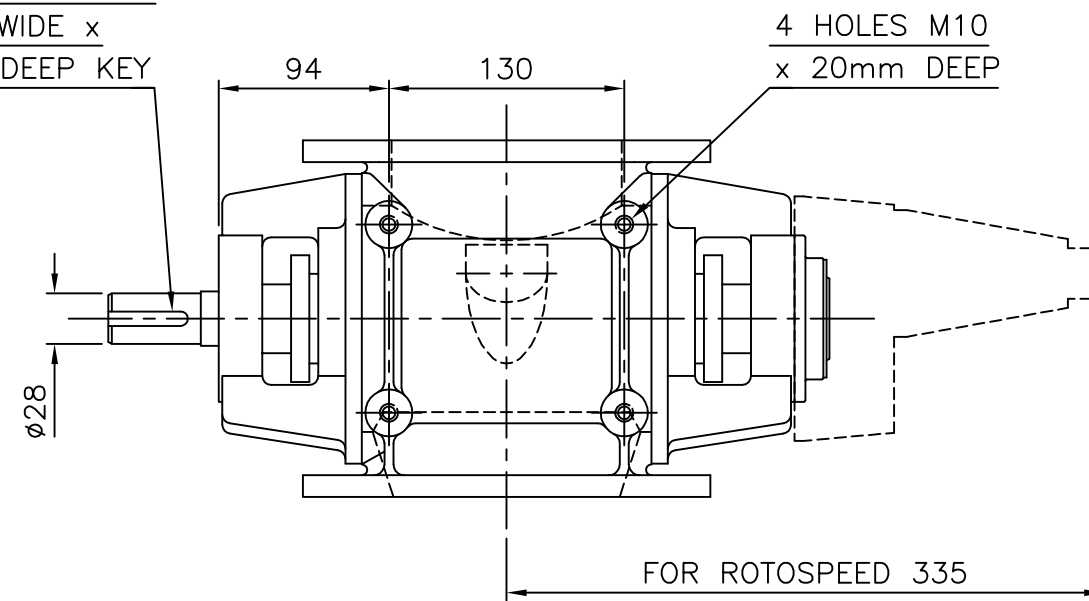
IF IN DOUBT ASK

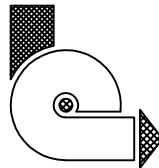
OPTIONS

1. FOR EXPOSED INLET OR OUTLET SAFETY GUARDS ARE REQUIRED.
2. 1 OFF 1" BSP (OR NPT) BODY VENT ON NON-DRIVE SIDE.
3. 1/8" BSP (OR NPT) AIR PURGED END COVER GLANDS.
4. ROTOSPEED SENSOR AS INDICATED.



KEYWAY TO SUIT
8mm WIDE x
7mm DEEP KEY



		ITEM	PART No.	QTY	DESCRIPTION	MATL.	DWG REF
		CLIENT			TITLE BARESHAFT ARRANGEMENT		
		STANDARD			125mm SQUARE ROTARY VALVE		
		SCALE N.T.S.			DRAWING No.		
					11642		
		DRAWN	CHECKED	APPROVED	ISSUE D		
		JB					
		3/11/93					
 <p>ROTOLOK LTD everything under control . . .</p>		<p>1 MILLENNIUM PLACE, TIVERTON BUSINESS PARK, TIVERTON, DEVON, EX16 6SB. Tel: 01884 232232</p>		<p>This drawing is the property of ROTOLOK LTD and is loaned subject to the condition that it shall not be reproduced, copied, loaned or submitted to others without our consent.</p>			
D	OPTIONS & ROTOSPEED ADDED (1442)						
C	DIMENSION 143 WAS 108						
B	IMPERIAL EQUIVALENT INLET (266)						
AMENDMENTS							