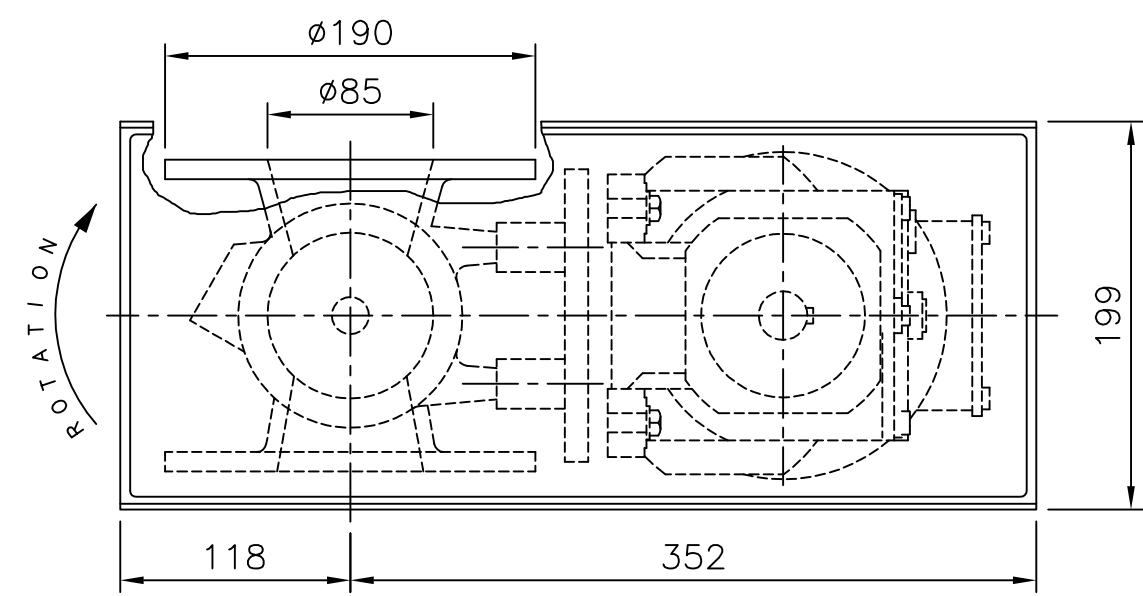
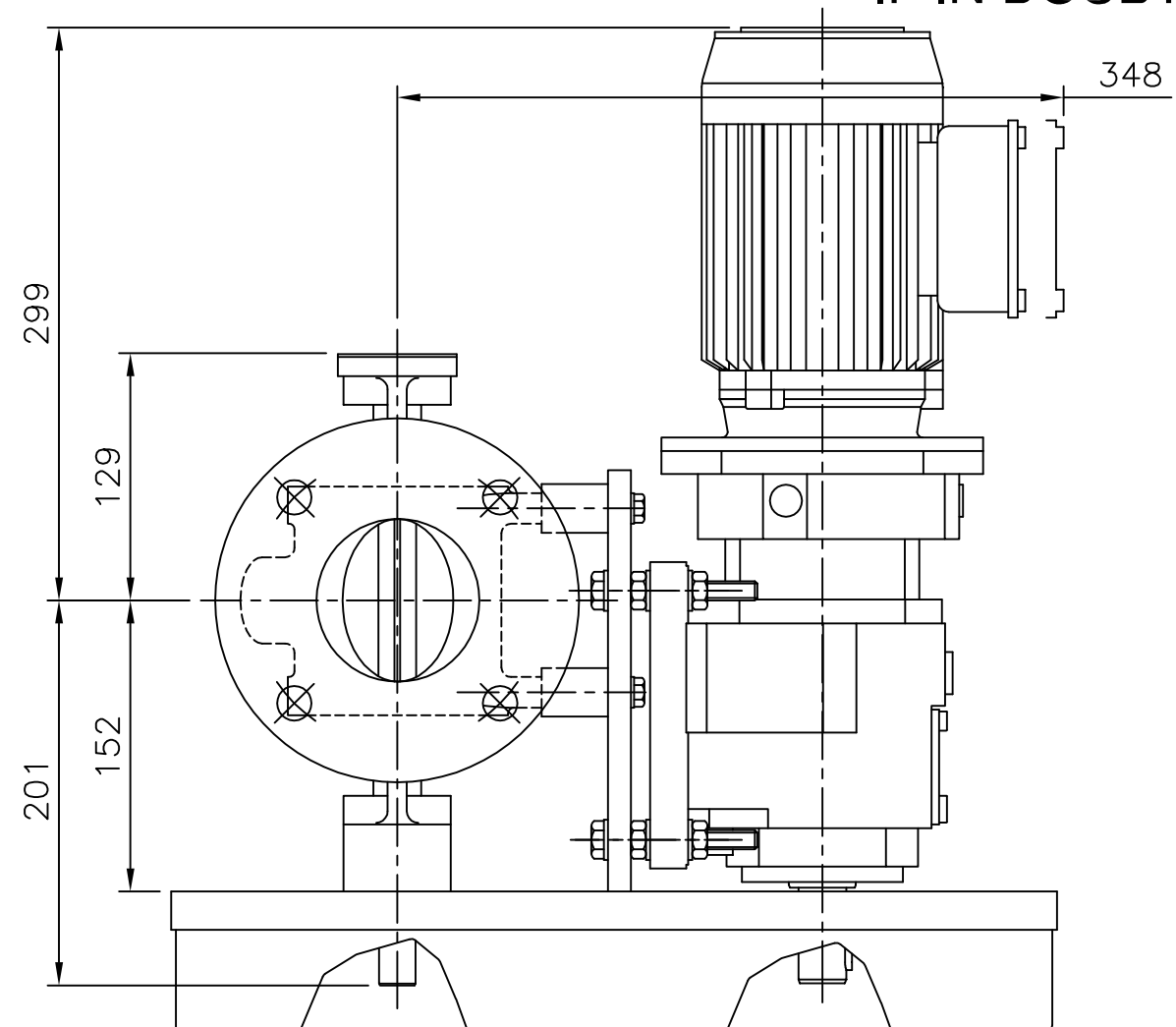


IF IN DOUBT ASK

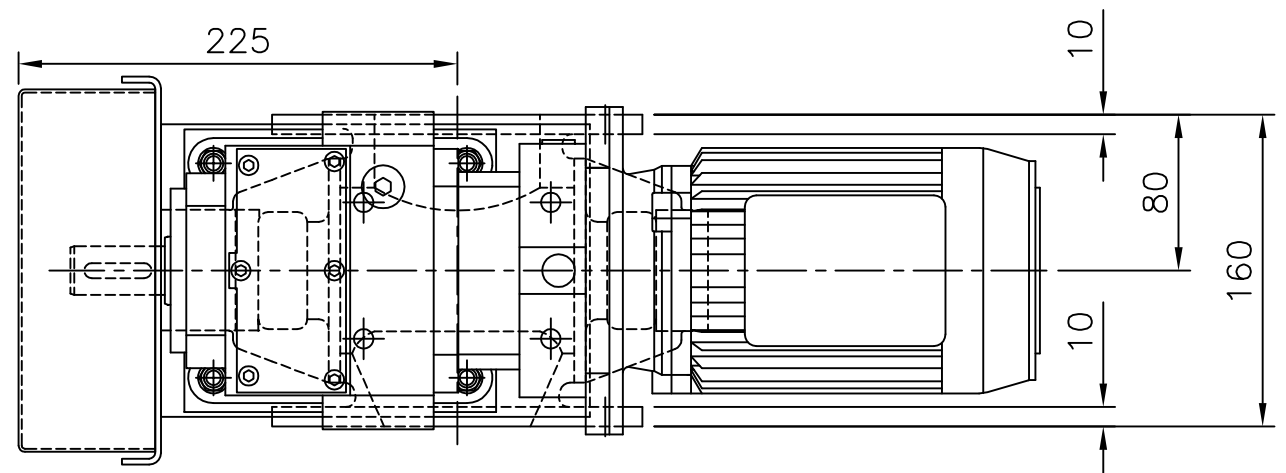


NOTES:

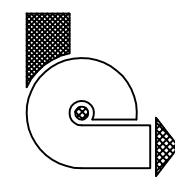
1. FOR EXPOSED INLET OR OUTLET, SAFETY GUARDS ARE REQUIRED.
2. 1 OFF 1/2" BSP (OR NPT) BODY VENT ON NON-DRIVE SIDE.
3. 1/8" BSP (OR NPT) AIR PURGED END COVER GLANDS.

NOTES

1. SIEMENS Z38-K5TC-56 0.37kW (1/2 HP) GEARMOTOR.



ITEM	PART No.	QTY	DESCRIPTION	MATL.	DWG REF
CLIENT QUICK RELEASE MOTORISED STANDARD			TITLE GENERAL ARRANGEMENT ø85mm ROUND ROTARY VALVE		
SCALE N.T.S.			DRAWING No. 11315		
DRAWN	CHECKED	APPROVED	ISSUE B		
C.B.G.					
10.08.1999					



ROTOLOK LTD

everything under control . . .

1 MILLENNIUM PLACE,
TIVERTON BUSINESS PARK,
TIVERTON, DEVON, EX16 6SB.
Tel: 01884 232232

This drawing is the property of ROTOLOK LTD and is loaned subject to the condition that it shall not be reproduced, copied, loaned or submitted to others without our consent.

B	OPPERMAN CHANGED TO SIEMENS Z38	KB 27/01/2009
AMENDMENTS		