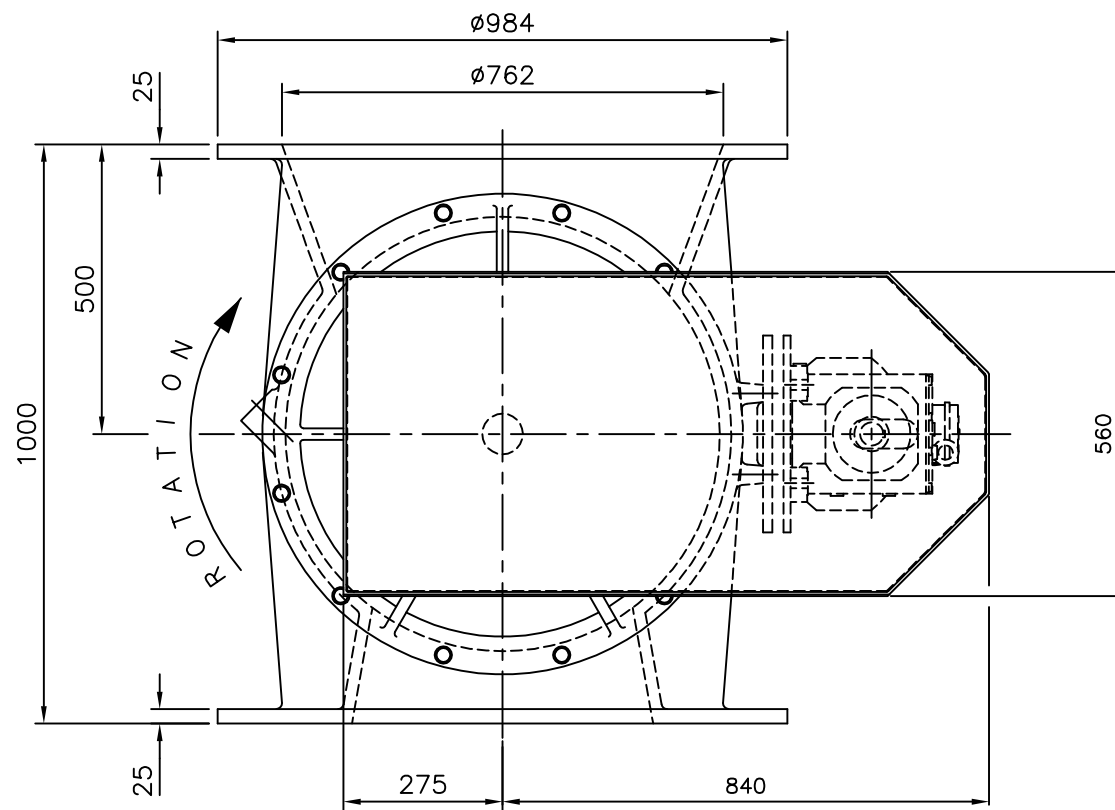
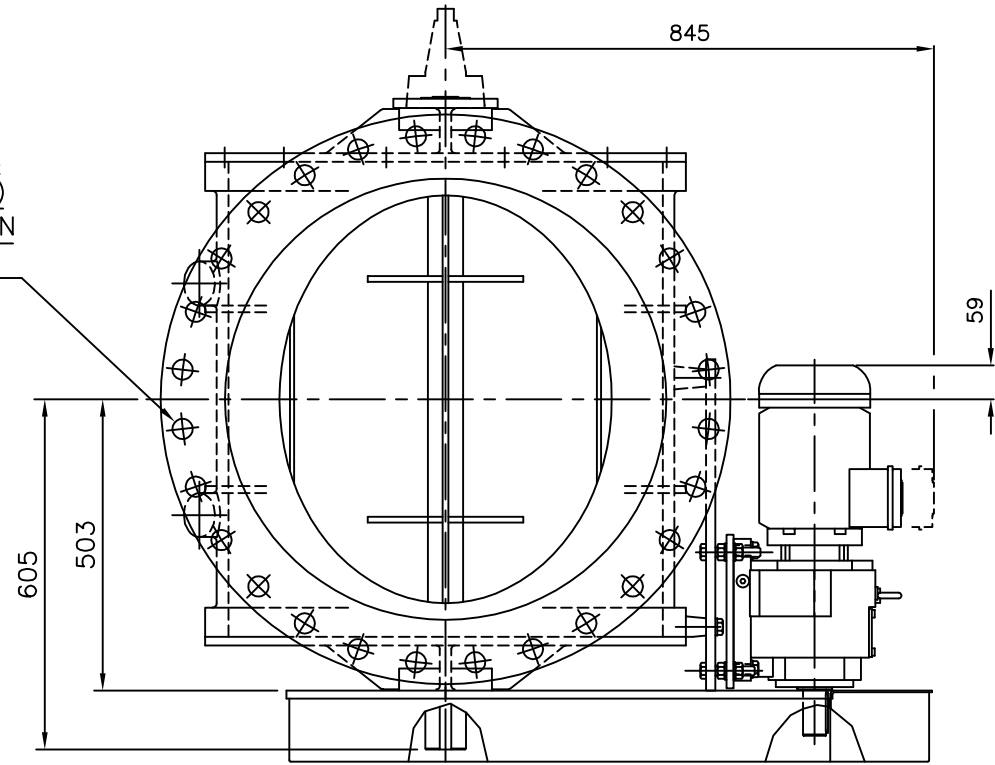


IF IN DOUBT ASK

28 HOLES $\phi 35$ ON A
914 PCD (1501b ASA)
EQUISPACED AS SHOWN
ON BOTH FLANGES

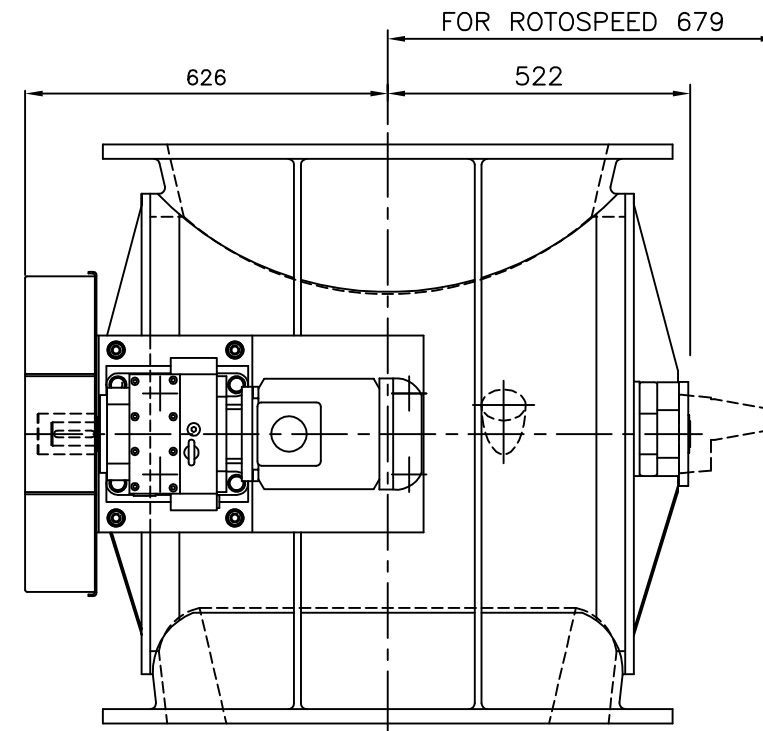


OPTIONS

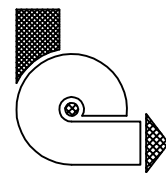
1. FOR EXPOSED INLET OR OUTLET SAFETY GUARDS ARE REQUIRED.
2. 2 OFF 1 1/2" BSP (OR NPT) BODY VENT ON NON-DRIVE SIDE.
3. 1/8" BSP (OR NPT) AIR PURGED END COVER GLANDS.
4. ROTOSPEED SENSOR AS INDICATED.

NOTES

1. SIEMENS Z68 2.2KW (3HP) GEARMOTOR.
2. VALVE SHAFT $\phi 70$ mm. DRIVE SHAFT $\phi 40$ mm.



ITEM	PART No.	QTY	DESCRIPTION	MATL.	DWG REF
CLIENT			TITLE		
MOTORISED STANDARD			GENERAL ARRANGEMENT 750mm ROUND ROTARY VALVE		
SCALE N.T.S.			DRAWING No.		
			10853		
DRAWN			CHECKED	APPROVED	ISSUE D
20.5.94					



ROTOLOK LTD

everything under control . . .

1 MILLENNIUM PLACE,
TIVERTON BUSINESS PARK,
TIVERTON, DEVON, EX16 6SB.
Tel: 01884 232232

This drawing is the property of ROTOLOK LTD and is loaned subject to the condition that it shall not be reproduced, copied, loaned or submitted to others without our consent.

D	WAS OPPERMAN TEMPO 20 GEARBOX	AB 06/03/2008
C	OPTIONS & ROTOSPEED ADDED	(1442)
B	MODIFIED & REDRAWN.	(425)

AMENDMENTS