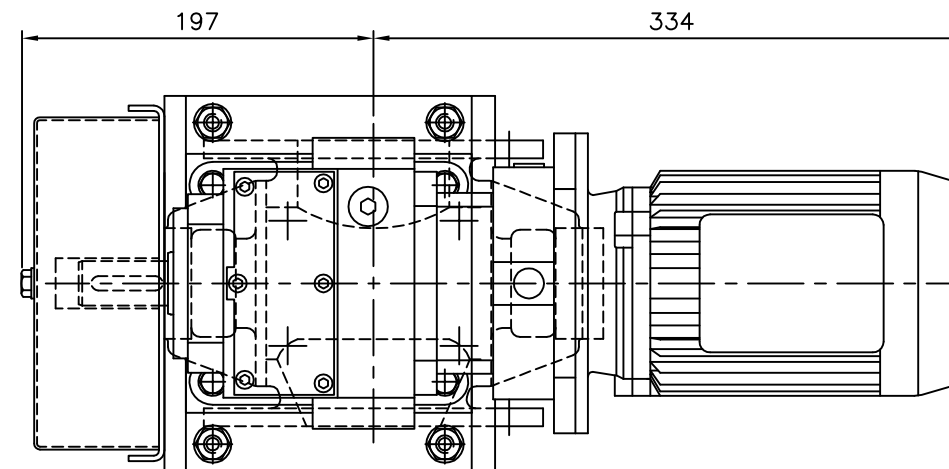
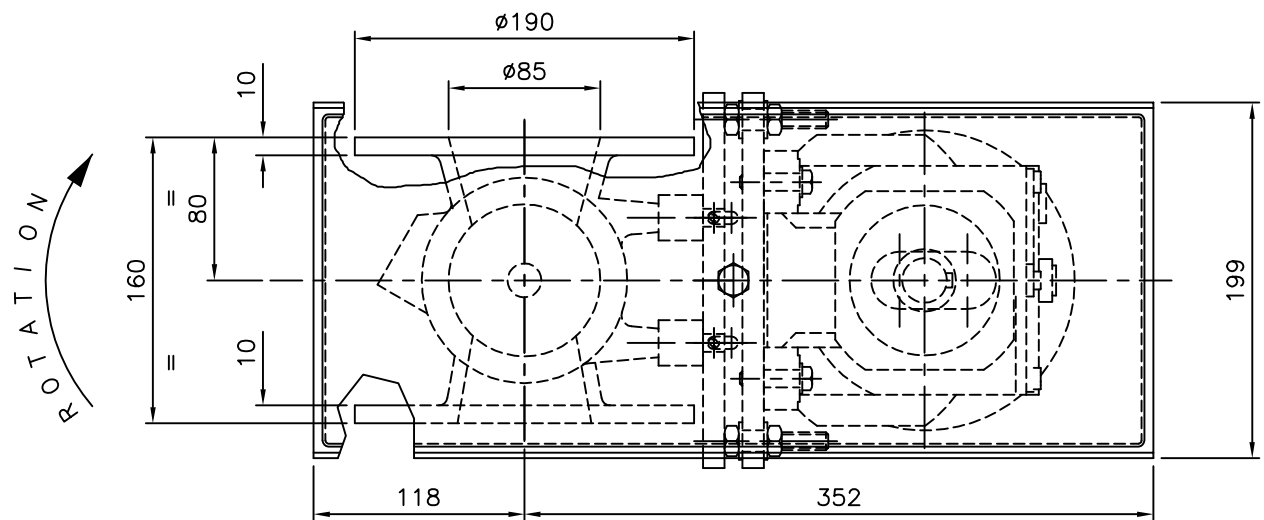
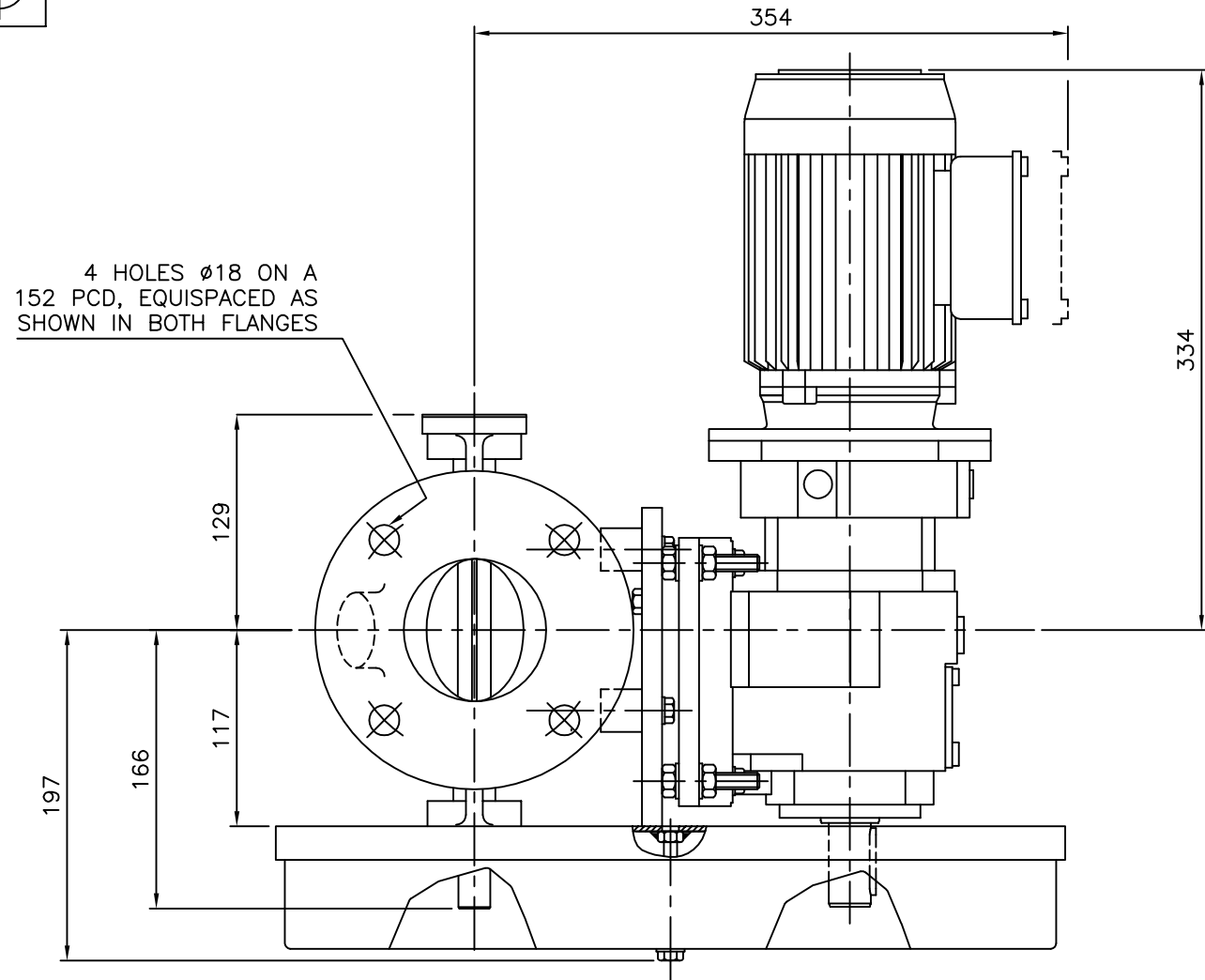


IF IN DOUBT ASK



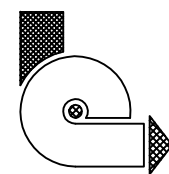
OPTIONS:

- 1: FOR EXPOSED INLET OR OUTLET SAFETY GUARDS ARE REQUIRED.
- 2: 1 OFF 1" BSP (OR NPT) BODY VENT ON NON-DRIVE SIDE IF REQUIRED.

NOTES:

- 1: SIEMENS Z38 0.37KW (1/2 HP) GEARMOTOR.
- 2: VALVE SHAFT: Ø19mm.
DRIVE SHAFT: Ø25mm.

| ITEM | PART No. | QTY | DESCRIPTION | MATL. | DWG REF |
|--------------|----------|-----|---------------------------|--|---------|
| CLIENT | | | TITLE GENERAL ARRANGEMENT | | |
| STANDARD | | | Ø85mm ROUND ROTARY VALVE | | |
| SCALE N.T.S. | | | DRAWING No. | | |
| | | | 10728 | | |
| DRAWN | | | CHECKED | APPROVED | |
| M.J.V.K.K | | | | | |
| 15/02/1995 | | | | ISSUE A B C D | |



ROTOLOK LTD

everything under control . . .

1 MILLENNIUM PLACE,
TIVERTON BUSINESS PARK,
TIVERTON, DEVON, EX16 6SB.
Tel: 01884 232232

This drawing is the property of ROTOLOK LTD and is loaned subject to the condition that it shall not be reproduced, copied, loaned or submitted to others without our consent.

| | | |
|---|---|------------------|
| D | WAS OPPERMAN TEMPO 5 GEARBOX | AB 24/07/2008 |
| C | REDRAWN WITH OPPERMAN TDM5 GEARBOX FITTED INSTEAD OF EC2032 (23/01/2007 - TP) | |
| B | REDRAWN WITH OPPERMAN EC2032 GEARBOX FITTED INSTEAD OF TDM5 (11/06/2004 - M.D.J.) | |

AMENDMENTS