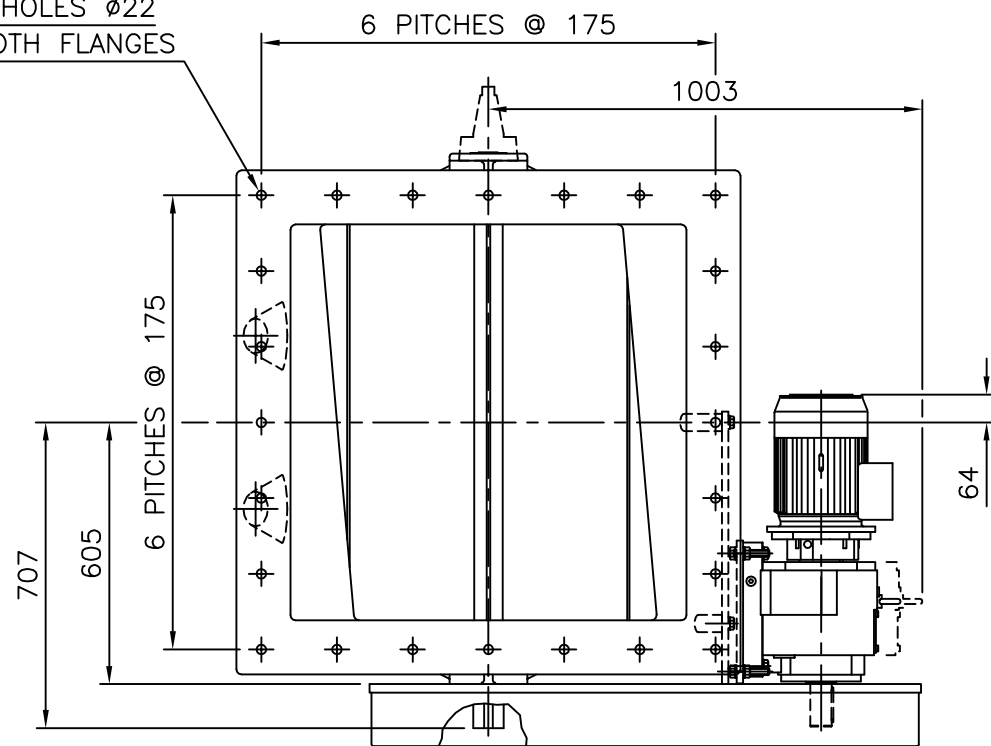


IF IN DOUBT ASK

24 HOLES Ø22
IN BOTH FLANGES

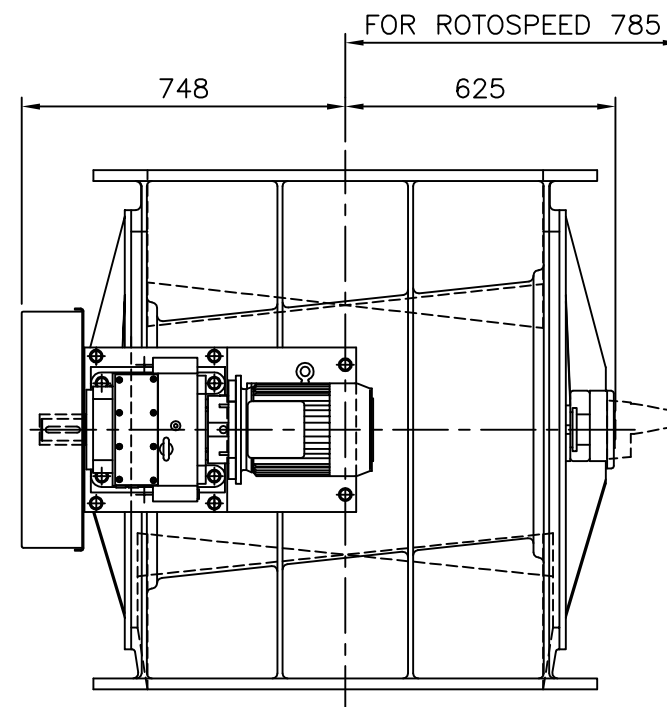
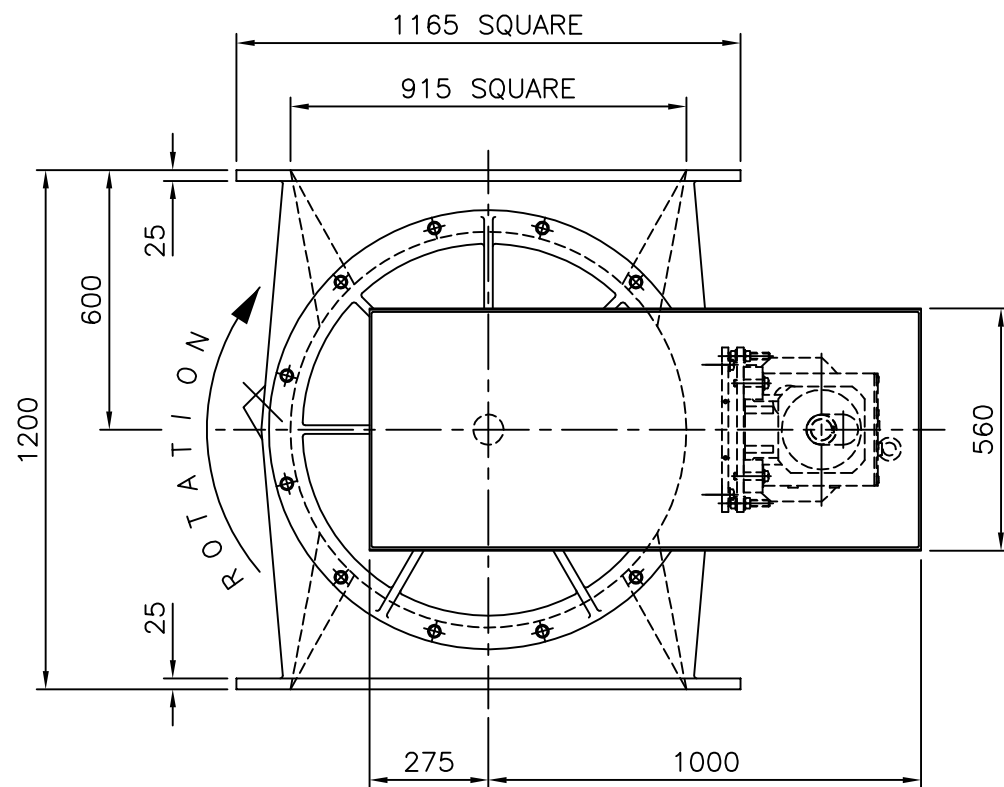


OPTIONS

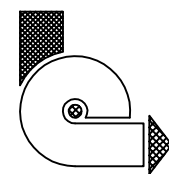
1. FOR EXPOSED INLET OR OUTLET SAFETY GUARDS ARE REQUIRED.
2. 2 OFF 1" BSP (OR NPT) BODY VENT ON NON-DRIVE SIDE.
3. 1/8" BSP (OR NPT) AIR PURGED END COVER GLANDS.
4. ROTOSPEED SENSOR AS INDICATED.

NOTES

1. SIEMENS Z88 4KW (5 HP) GEARMOTOR.
2. VALVE SHAFT Ø70mm. DRIVE SHAFT Ø50mm.



F	WAS OPPERMAN TEMPO 40 GEARBOX	AB 18/03/2008
E	TAKE OFF PLATE ADDED	(23.9.99 CG)
D	OPTIONS & ROTOSPEED ADDED	(1442)
C	GUARD MADE LARGER	(1411)
B	DIMENSIONAL CHANGES	D.T.J.H. 24.04.95
AMENDMENTS		



ROTOLOK LTD

everything under control . . .

1 MILLENNIUM PLACE,
TIVERTON BUSINESS PARK,
TIVERTON, DEVON, EX16 6SB.
Tel: 01884 232232

This drawing is the property of ROTOLOK LTD and is loaned subject to the condition that it shall not be reproduced, copied, loaned or submitted to others without our consent.

ITEM	PART No.	QTY	DESCRIPTION	MATL.	DWG REF
CLIENT			TITLE GENERAL ARRANGEMENT		
MOTORISED STANDARD			915mm SQUARE ROTARY VALVE		
SCALE N.T.S.			DRAWING No.		
			10711		
			ISSUE <input checked="" type="checkbox"/> F		
DRAWN	CHECKED	APPROVED			
AB					
18/2/94					