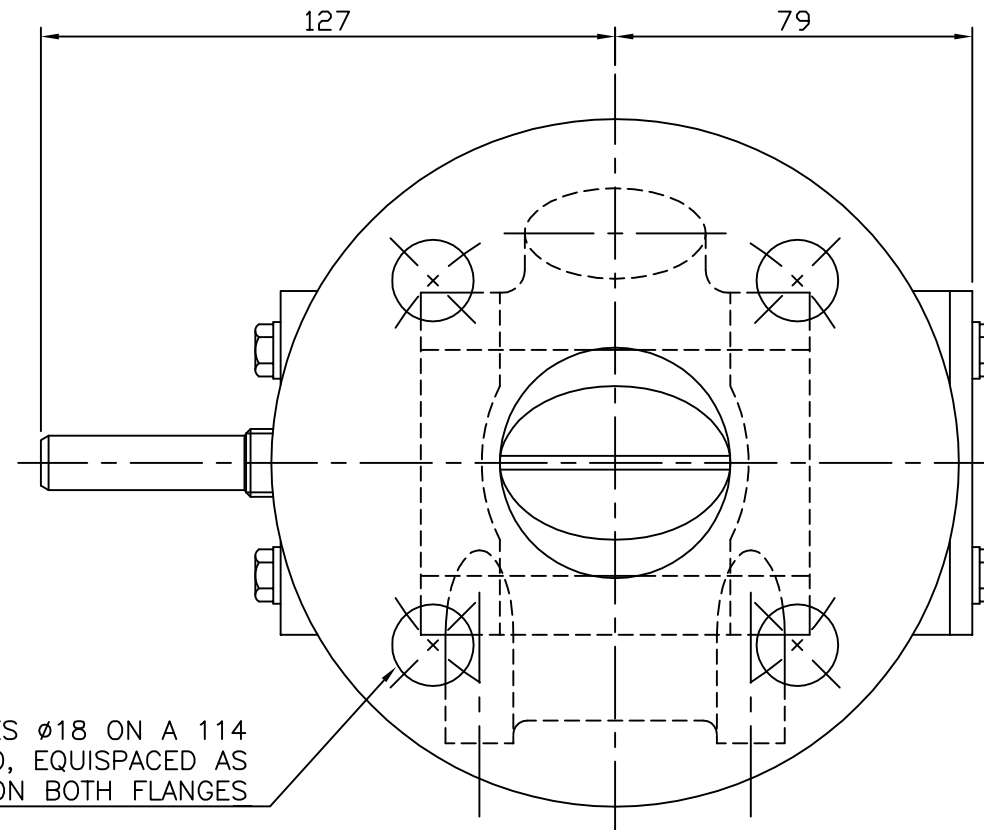
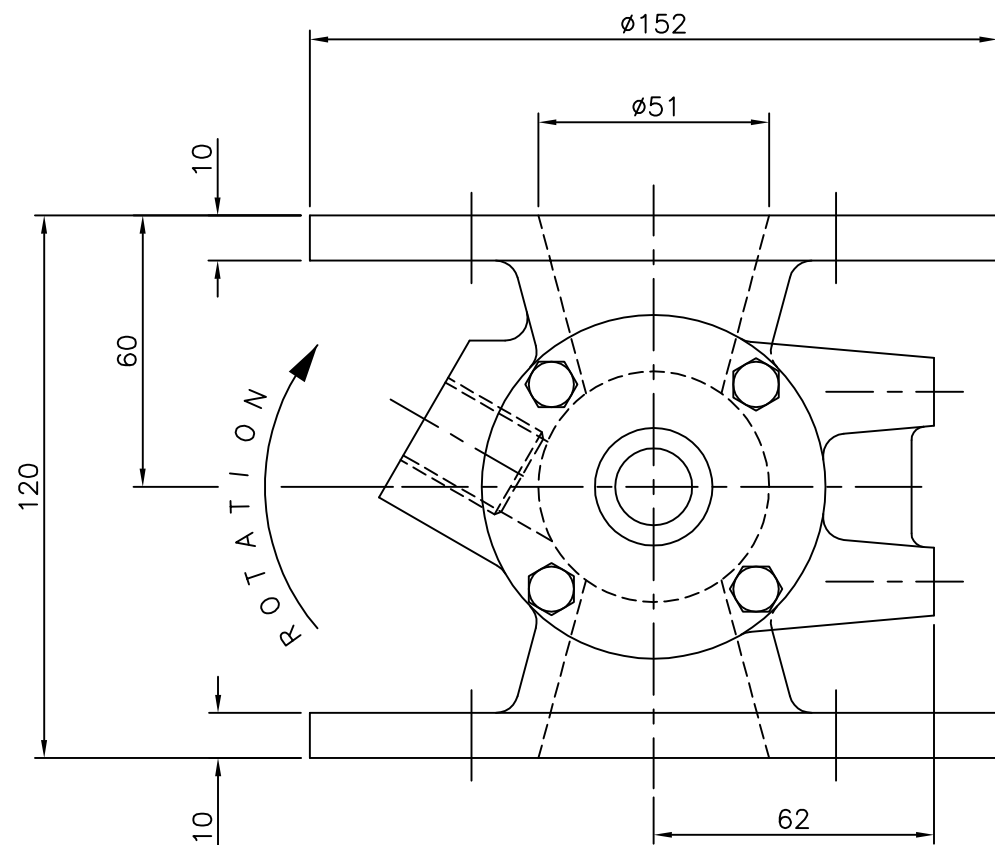


IF IN DOUBT ASK

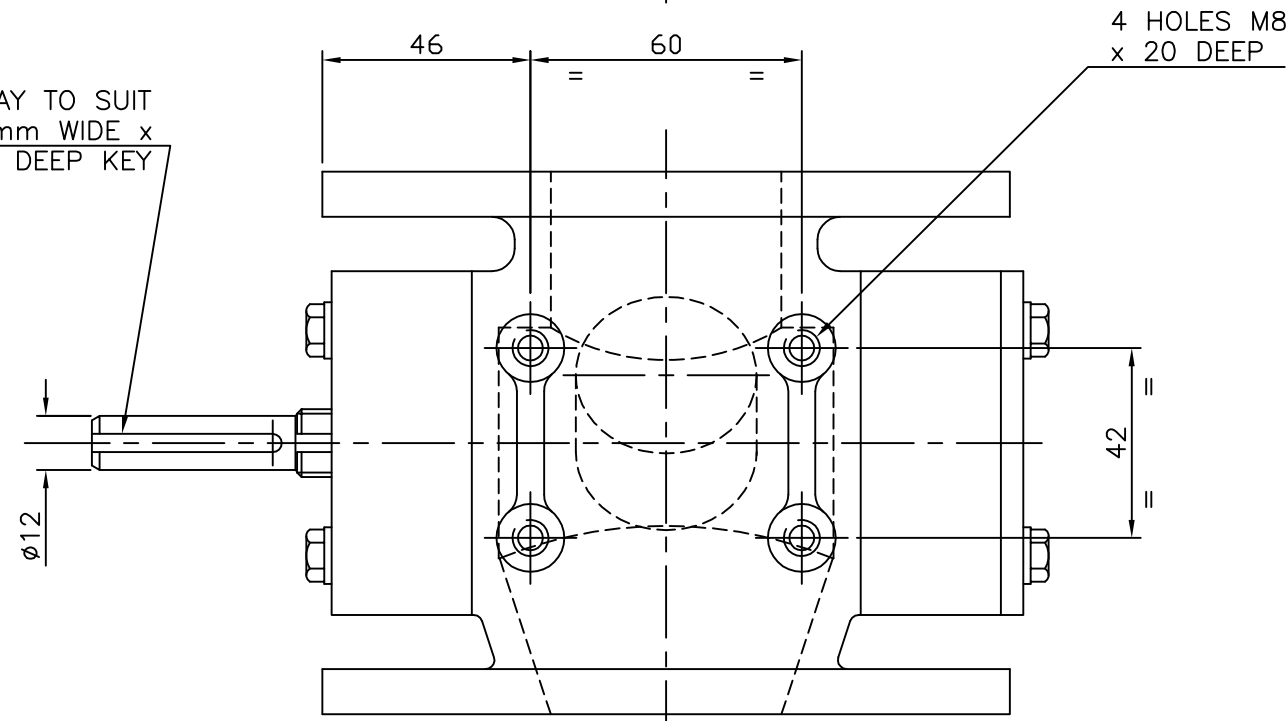
**NOTES:**

1: 1 OFF 1/2" BSP (OR NPT) BODY VENT  
ON NON- DRIVE SIDE IF REQUIRED.



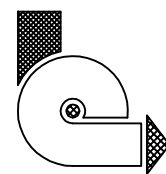
4 HOLES  $\phi 18$  ON A 114  
PCD, EQUISPACED AS  
SHOWN ON BOTH FLANGES

KEYWAY TO SUIT  
4mm WIDE x  
4mm DEEP KEY



4 HOLES M8  
x 20 DEEP

ITEM	PART No.	QTY	DESCRIPTION	MATL.	DWG REF
CLIENT			TITLE BARESHAFT ARRANGEMENT		
STANDARD			50mm ROUND ROTARY VALVE		
SCALE N.T.S.			DRAWING No.		
			10601		
DRAWN			CHECKED	APPROVED	
M.J.V.K.K					
29/11/94			ISSUE A		



**ROTOLOK LTD**

everything under control . . .

1 MILLENNIUM PLACE,  
TIVERTON BUSINESS PARK,  
TIVERTON, DEVON, EX16 6SB.  
Tel: 01884 232232

This drawing is the property of ROTOLOK LTD  
and is loaned subject to the condition that it  
shall not be reproduced, copied, loaned or  
submitted to others without our consent.

AMENDMENTS