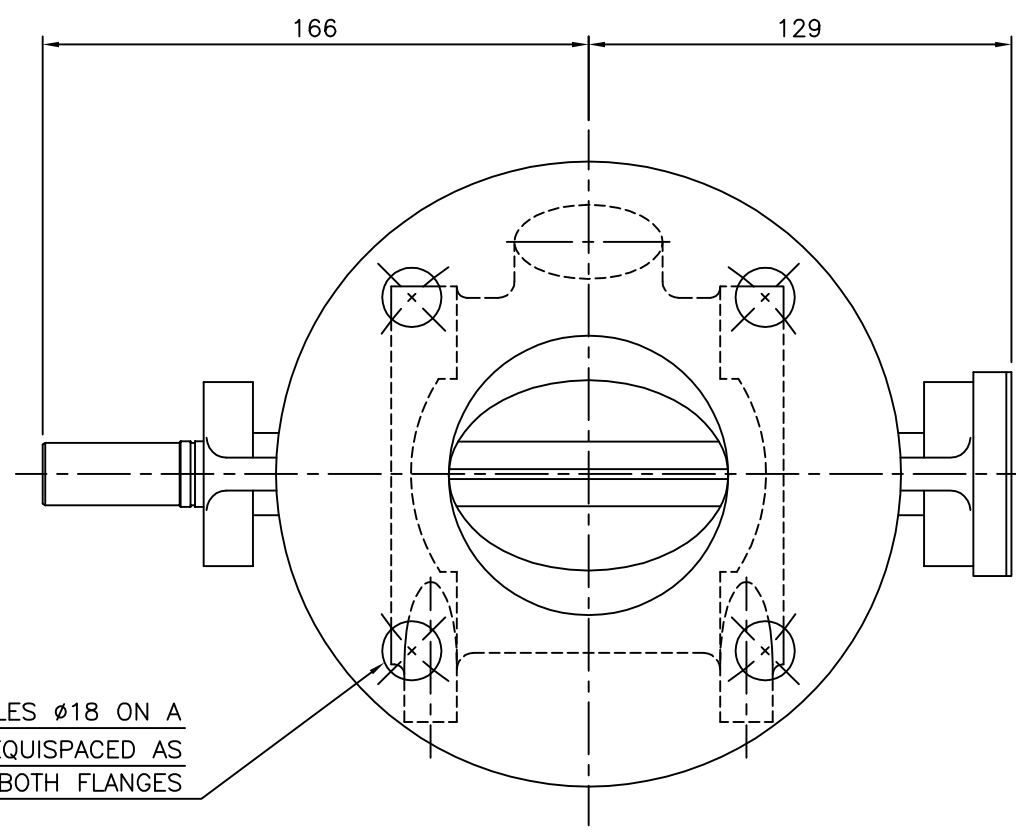
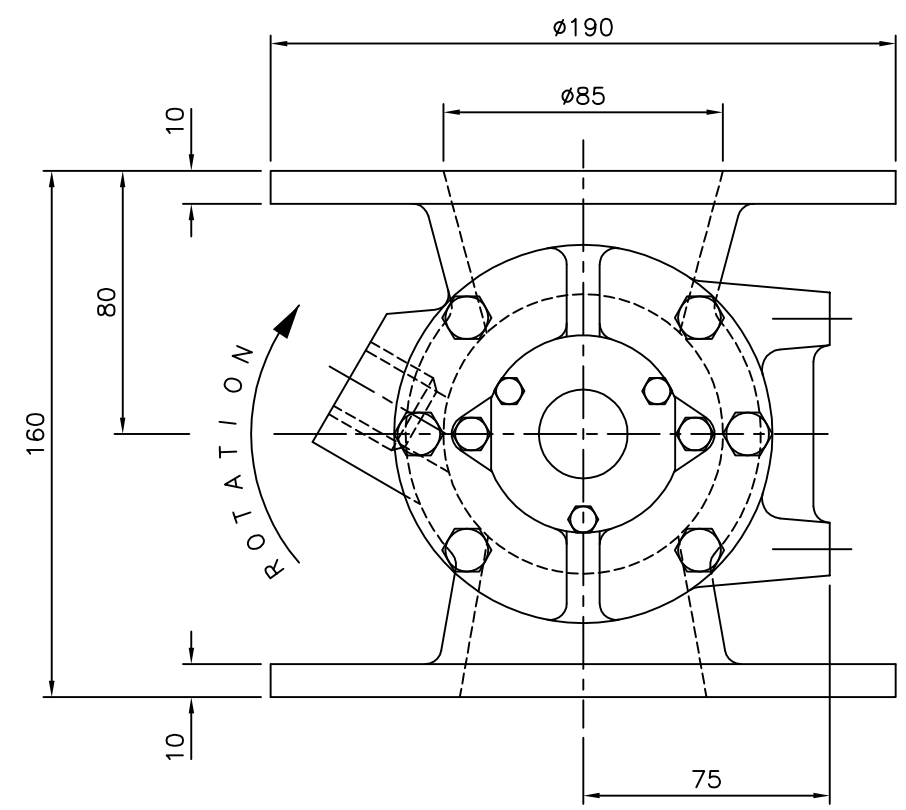


IF IN DOUBT ASK

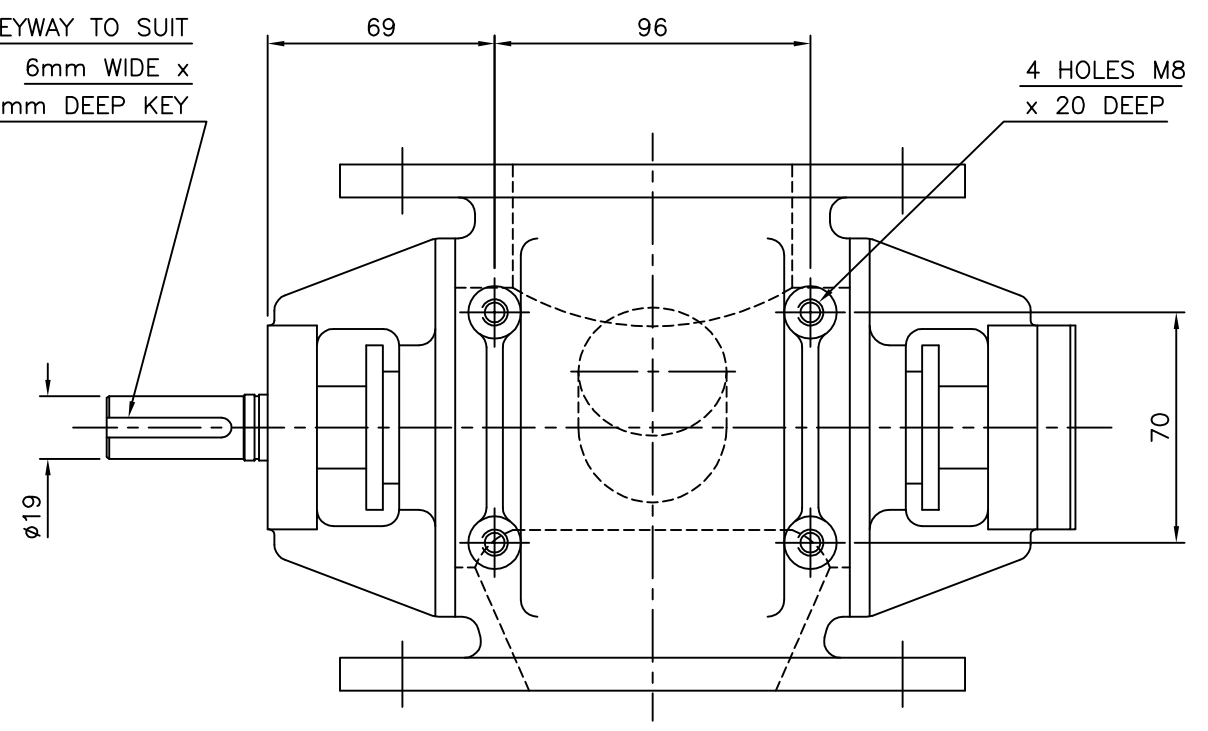
NOTES:  
 1: 1 OFF 1" BSP (OR NPT) BODY VENT ON  
 NON-DRIVE SIDE IF REQUIRED.



4 HOLES  $\phi 18$  ON A  
 152 PCD, EQUISPACED AS  
 SHOWN ON BOTH FLANGES

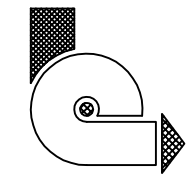


KEYWAY TO SUIT  
 6mm WIDE x  
 6mm DEEP KEY



4 HOLES M8  
 x 20 DEEP

ITEM	PART No.	QTY	DESCRIPTION	MATL.	DWG REF
CLIENT			TITLE		
STANDARD			BARESHaft ARRANGEMENT		
SCALE			85mm ROUND ROTARY VALVE		
N.T.S.			DRAWING No.		
DRAWN			10592		
CHECKED					
APPROVED					
M.J.V.K.K			ISSUE	B	
25/11/94					



ROTOLOK LTD

everything under control . . .

1 MILLENNIUM PLACE,  
 TIVERTON BUSINESS PARK,  
 TIVERTON, DEVON, EX16 6SB.  
 Tel: 01884 232232

This drawing is the property of ROTOLOK LTD  
 and is loaned subject to the condition that it  
 shall not be reproduced, copied, loaned or  
 submitted to others without our consent.

B DRAWN ON CAD.

AMENDMENTS