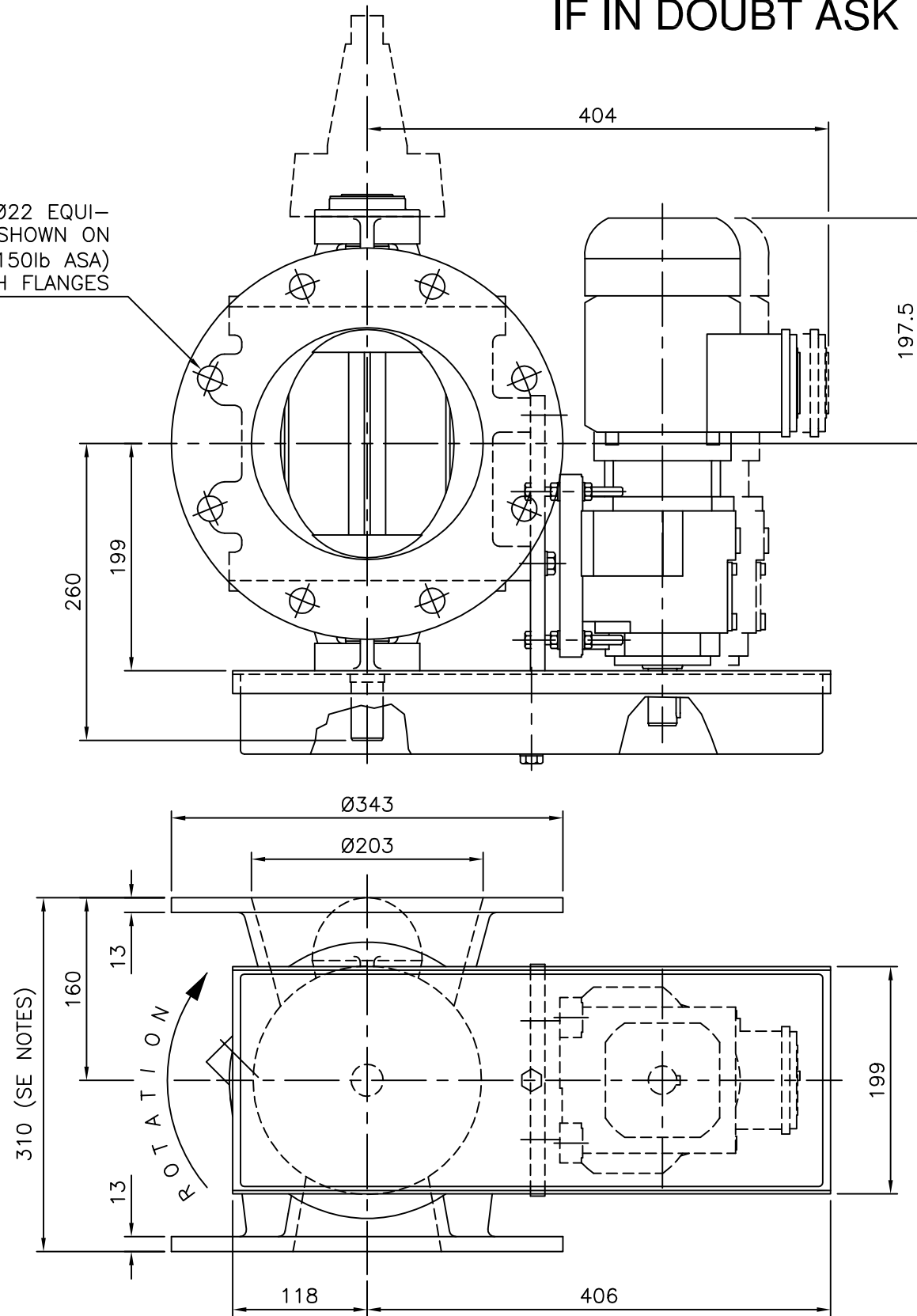


IF IN DOUBT ASK

8 HOLES Ø22 EQUI-SPACED AS SHOWN ON 298 PCD (150lb ASA) SAME IN BOTH FLANGES

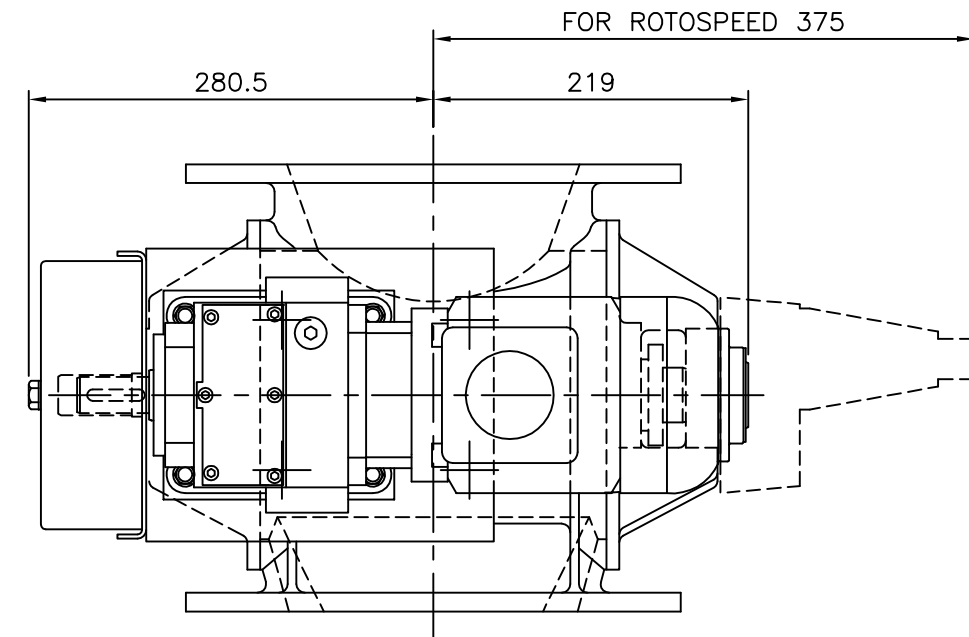


OPTIONS

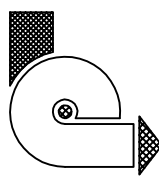
1. FOR EXPOSED INLET OR OUTLET SAFETY GUARDS ARE REQUIRED.
2. 2 OFF 1" BSP (OR NPT) BODY VENT ON NON-DRIVE SIDE.
3. 1/8" BSP (OR NPT) AIR PURGED END COVER GLANDS.
4. ROTOSPEED SENSOR AS INDICATED.
5. INSPECTION DOOR ON NON-DRIVE SIDE (NOT SHOWN) WITH 166 x 50mm APERTURE.

NOTES

1. SIEMENS Z38 0.37KW (1/2 HP) GEARMOTOR.
2. VALVE SHAFT Ø28mm. DRIVE SHAFT Ø25mm.
3. STAINLESS STEEL OVERALL HIEGHT 315mm



E	WAS OPPERMAN TEMPO 5 GEARBOX	AB 22/02/2008
D	OPTIONS & ROTOSPEED ADDED	(1442)
C	OVERALL HEIGHT DIM. AMENDED	(1372)
B	IMPERIAL EQUIVALENT INLET	(266)
AMENDMENTS		



ROTOLOK LTD

everything under control . . .

1 MILLENNIUM PLACE,
TIVERTON BUSINESS PARK,
TIVERTON, DEVON, EX16 6SB.
Tel: 01884 232232

This drawing is the property of ROTOLOK LTD and is loaned subject to the condition that it shall not be reproduced, copied, loaned or submitted to others without our consent.

ITEM	PART No.	QTY	DESCRIPTION	MATL.	DWG REF
CLIENT			ASA	TITLE	
MOTORISED STANDARD			GENERAL ARRANGEMENT 200mm ROUND ROTARY VALVE		
SCALE			N.T.S.	DRAWING No.	
			10577		
			ISSUE E		
DRAWN	CHECKED	APPROVED			
JB					
1/12/93					