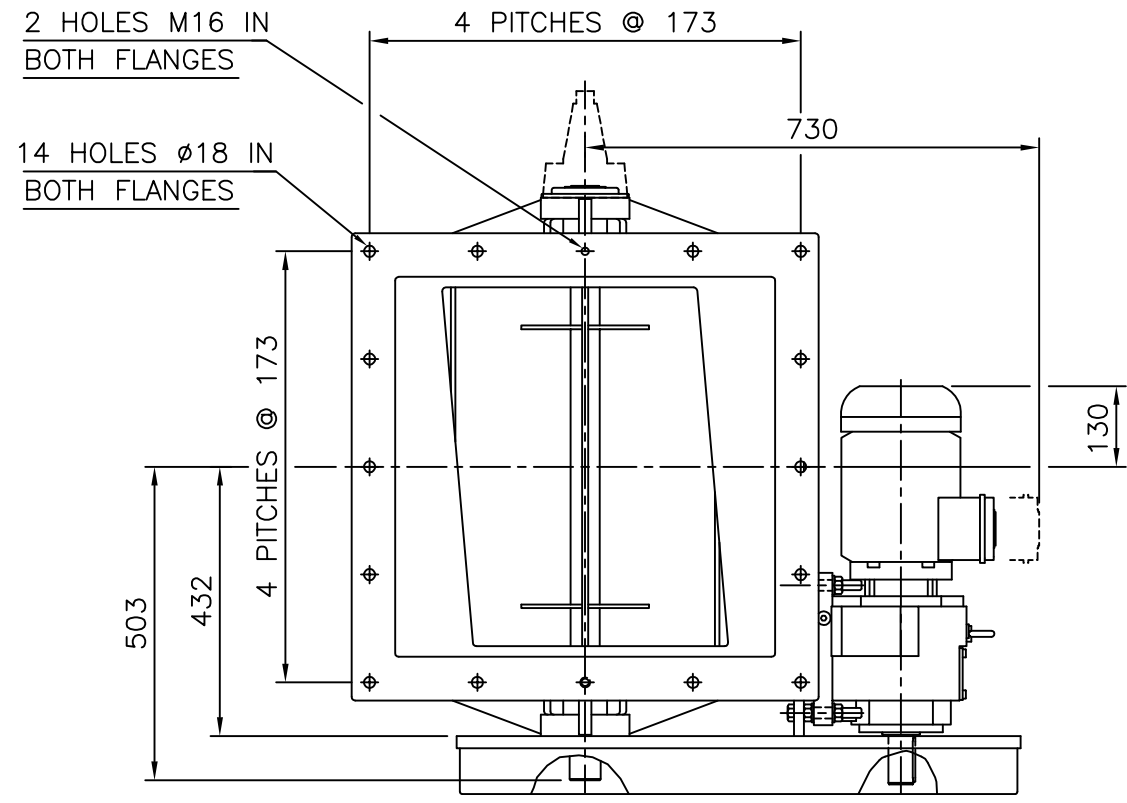


IF IN DOUBT ASK

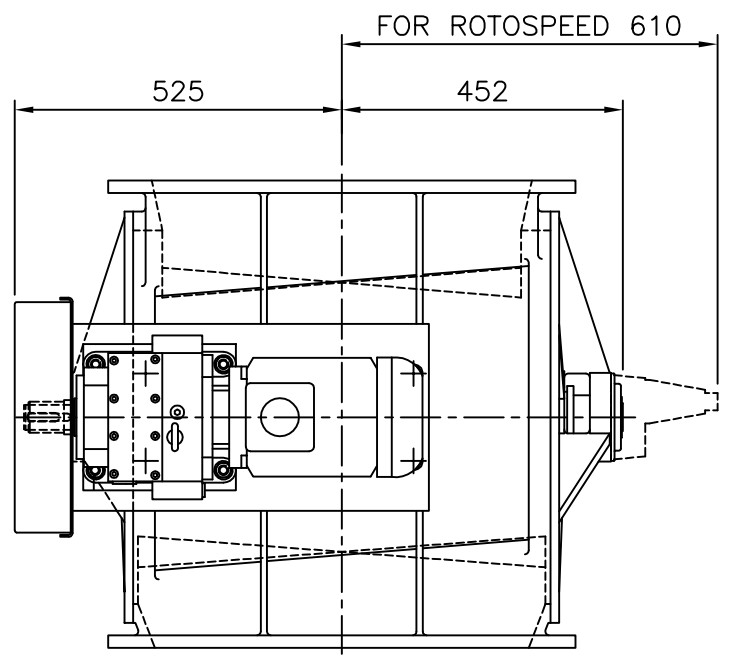
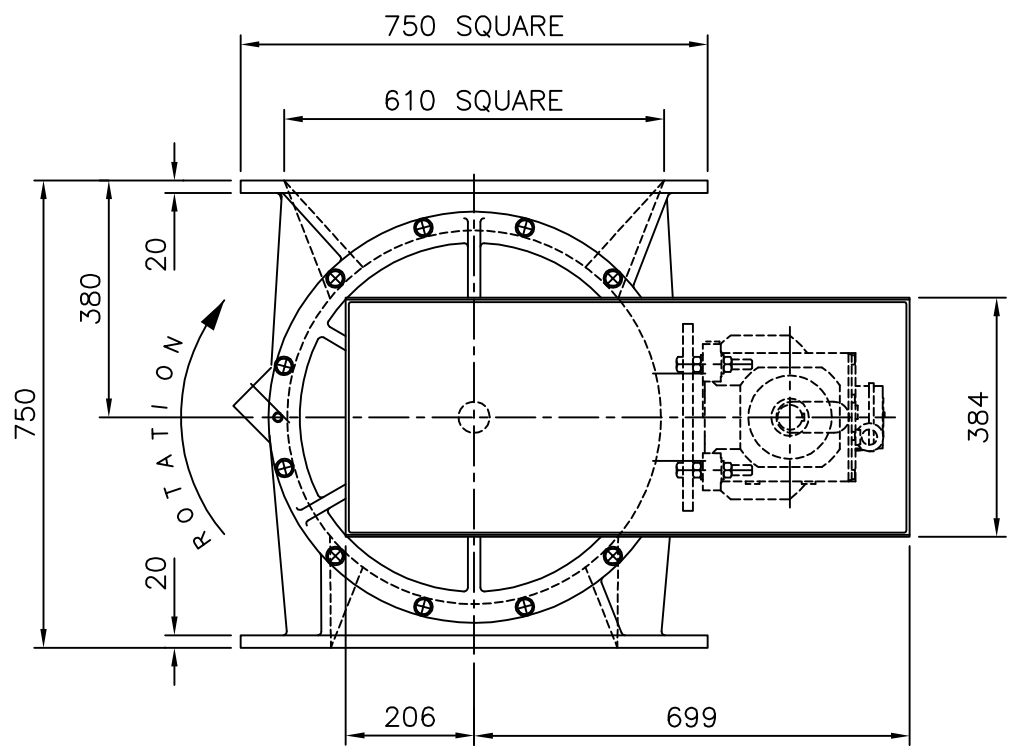


OPTIONS

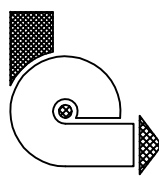
1. FOR EXPOSED INLET OR OUTLET SAFETY GUARDS ARE REQUIRED.
2. 2 OFF 1 1/2" BSP (OR NPT) BODY VENT ON NON-DRIVE SIDE.
3. 1/8" BSP (OR NPT) AIR PURGED END COVER GLANDS.
4. ROTOSPEED SENSOR AS INDICATED.
5. INSPECTION DOOR ON NON-DRIVE SIDE (NOT SHOWN) WITH 586 x 115mm APERTURE.

NOTES

1. OPPERMAN TDM20 2.2KW (3 HP) GEARMOTOR.
2. VALVE SHAFT ø50mm. DRIVE SHAFT ø35mm.



F	WAS OPPERMAN TEMPO 20 GEARBOX	AB 30/07/2008
E	OPTIONS & ROTOSPEED ADDED	(1442)
D	GUARD BACKPLATE WAS 709 NOW 699mm TO SUIT FAB SHOP BACK PLATES.	N.F. 10/1/96
C	GUARD BACKPLATE WAS 666.	(473)
B	IMPERIAL EQUIVALENT INLET	(266)
<b>AMENDMENTS</b>		



# ROTOLOK LTD

everything under control . . .

1 MILLENNIUM PLACE,  
TIVERTON BUSINESS PARK,  
TIVERTON, DEVON, EX16 6SB.  
Tel: 01884 232232

This drawing is the property of ROTOLOK LTD and is loaned subject to the condition that it shall not be reproduced, copied, loaned or submitted to others without our consent.

ITEM	PART No.	QTY	DESCRIPTION	MATL.	DWG REF
CLIENT			MOTORISED STANDARD		TITLE GENERAL ARRANGEMENT 600mm SQUARE ROTARY VALVE
SCALE N.T.S.					
DRAWN	CHECKED	APPROVED	DRAWING No.  <b>10019</b>		
SB					
5/1/94			ISSUE <input checked="" type="checkbox"/> F		