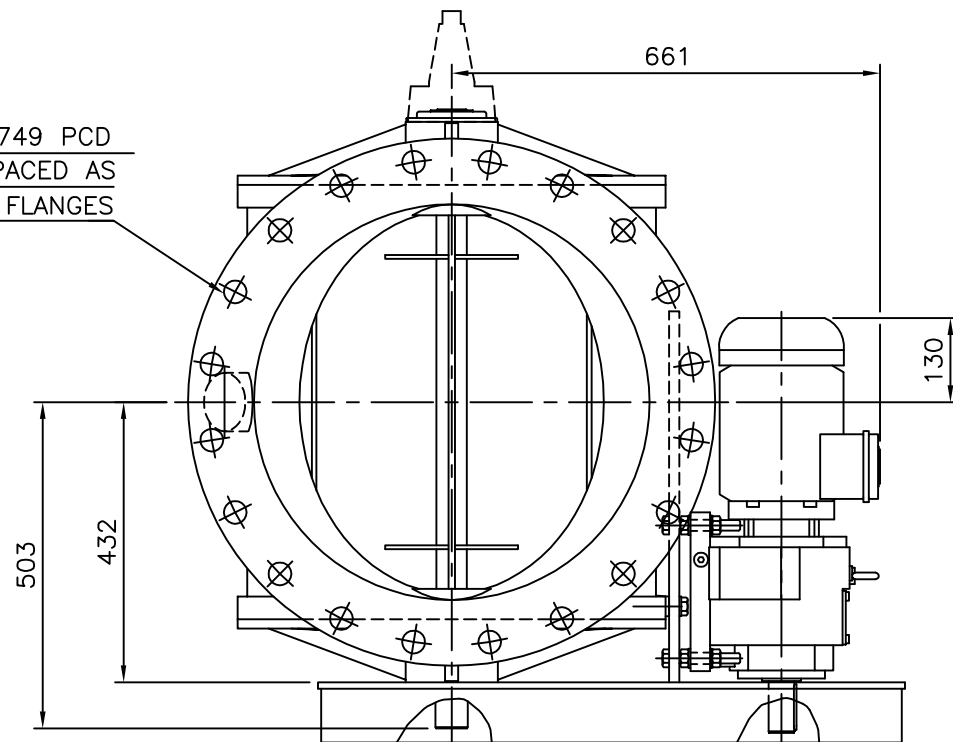


IF IN DOUBT ASK

20 HOLES $\phi 35$ ON A 749 PCD
(150lb ASA) EQUISPACED AS
SHOWN ON BOTH FLANGES

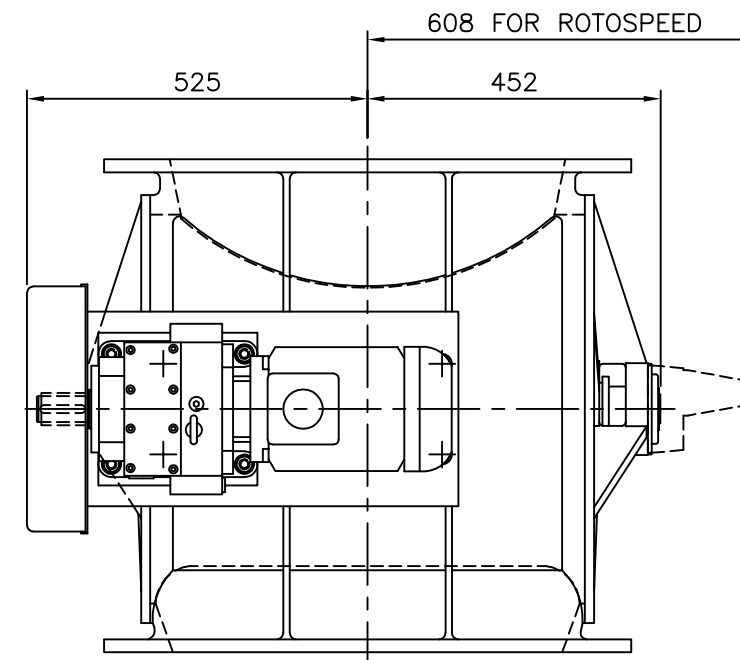
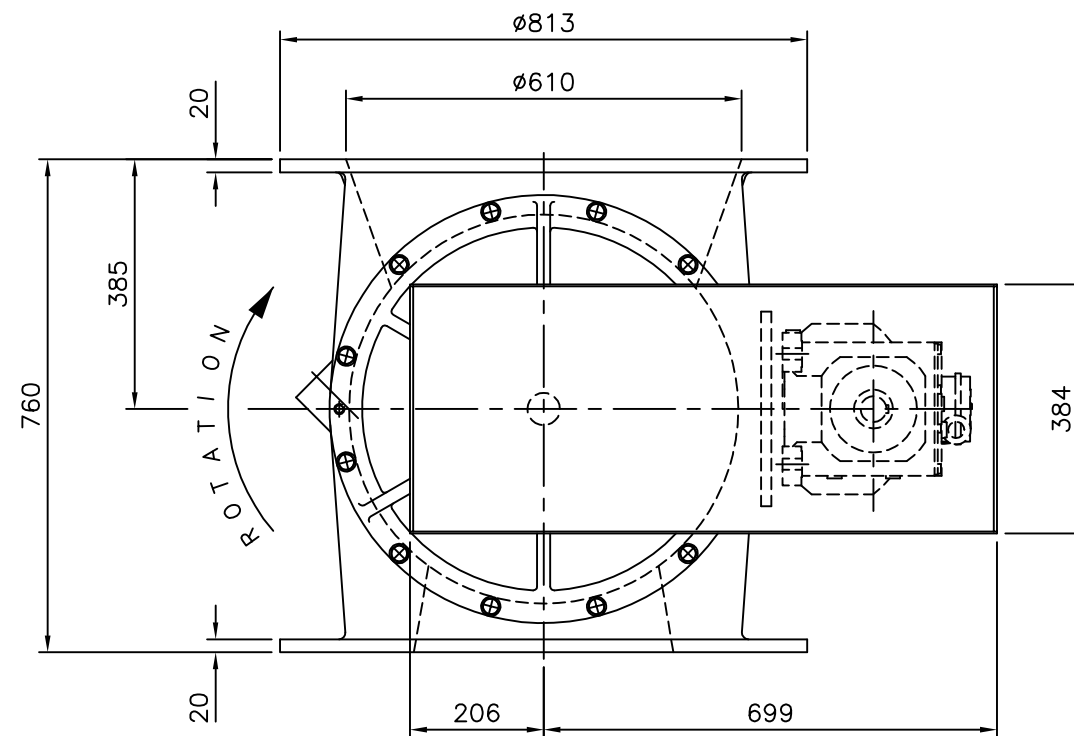


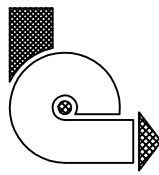
OPTIONS

1. FOR EXPOSED INLET OR OUTLET SAFETY GUARDS ARE REQUIRED.
2. 1 OFF 1 1/2" BSP (OR NPT) BODY VENT ON NON-DRIVE SIDE.
3. 1/8" BSP (OR NPT) AIR PURGED END COVER GLANDS.
4. ROTOSPEED SENSOR AS INDICATED.
5. INSPECTION DOOR ON NON-DRIVE SIDE (NOT SHOWN) WITH 586 x 115mm APERTURE.

NOTES

1. SIEMENS Z68 2.2KW (3 HP) GEARMOTOR.
2. VALVE SHAFT $\phi 50$ mm. DRIVE SHAFT $\phi 40$ mm.



		ITEM	PART No.	QTY	DESCRIPTION	MATL.	DWG REF
E	WAS OPPERMAN TEMPO 20 GEARBOX AB 06/03/2008	CLIENT			TITLE GENERAL ARRANGEMENT		
D	OPTIONS & ROTOSPEED ADDED (1442)	MOTORISED STANDARD			600mm ROUND ROTARY VALVE		
C	VALVE HEIGHT WAS 750 (751)	SCALE N.T.S.			DRAWING No.		
B	GUARD BACKPLATE WAS 600. (743)	DRAWN	CHECKED	APPROVED	10018		
AMENDMENTS		<i>AB</i>					
		21/3/94					
 <p>ROTOLOK LTD everything under control . . .</p> <p>1 MILLENNIUM PLACE, TIVERTON BUSINESS PARK, TIVERTON, DEVON, EX16 6SB. Tel: 01884 232232</p>		<p>This drawing is the property of ROTOLOK LTD and is loaned subject to the condition that it shall not be reproduced, copied, loaned or submitted to others without our consent.</p>					