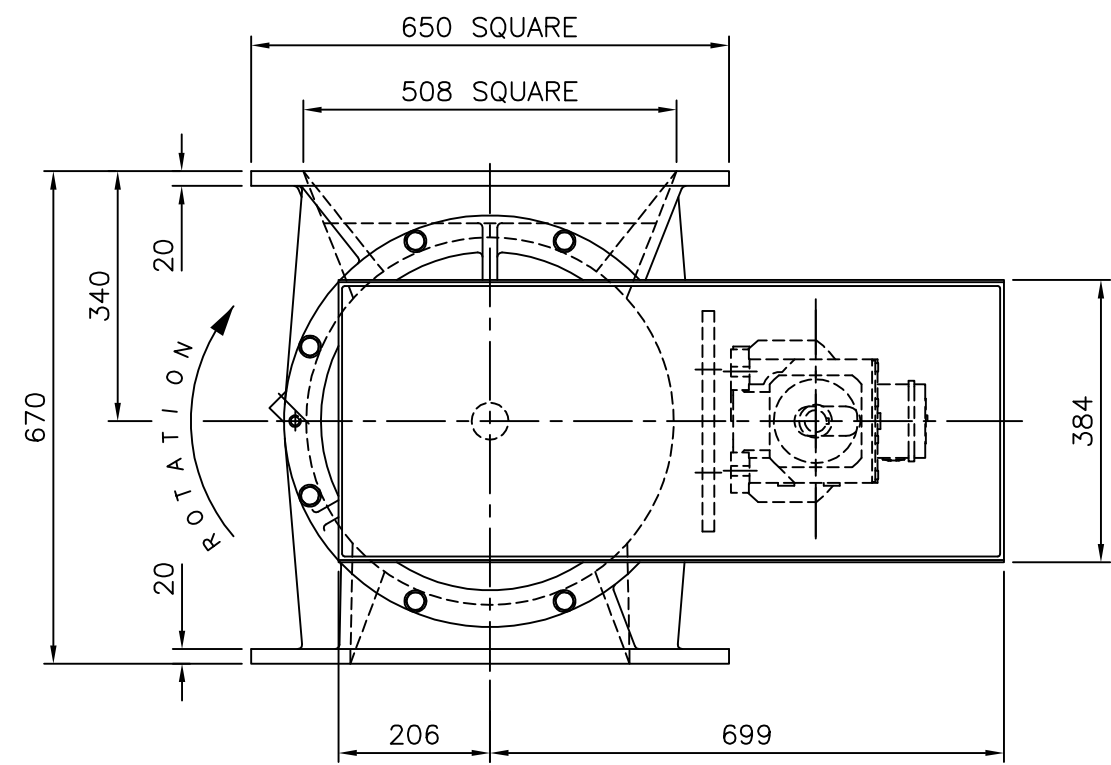
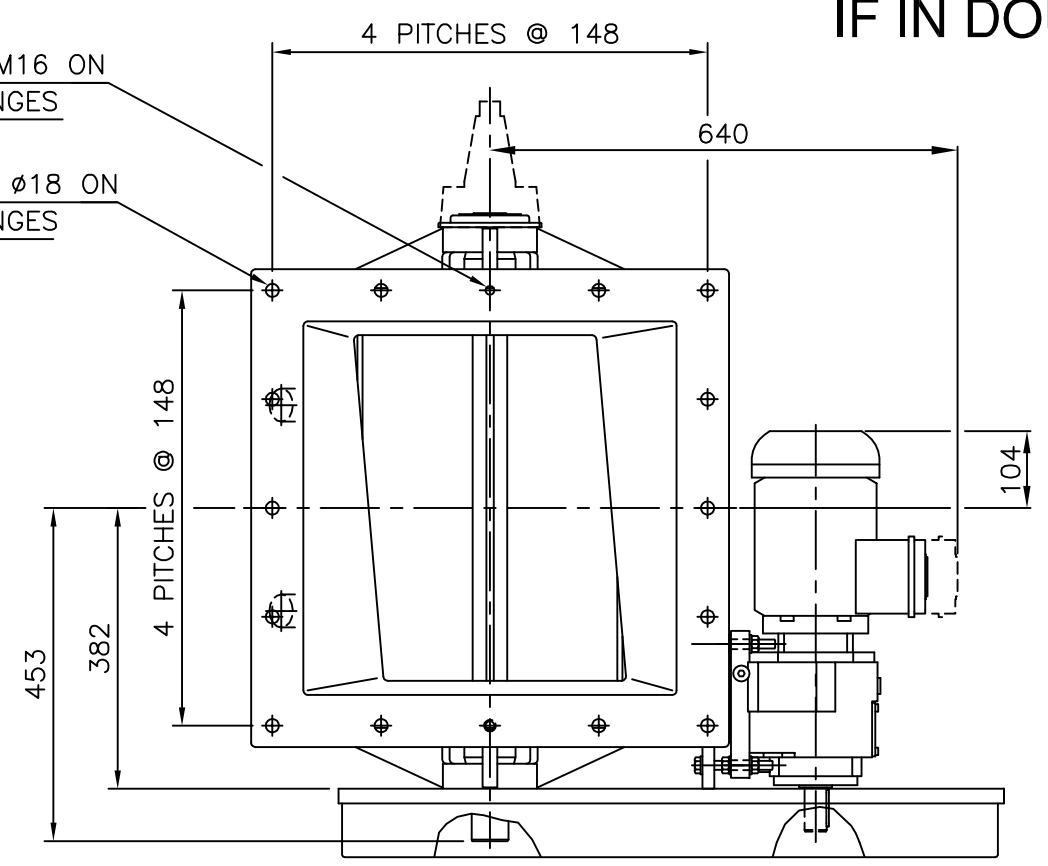


2 HOLES M16 ON BOTH FLANGES

14 HOLES Ø18 ON BOTH FLANGES

IF IN DOUBT ASK

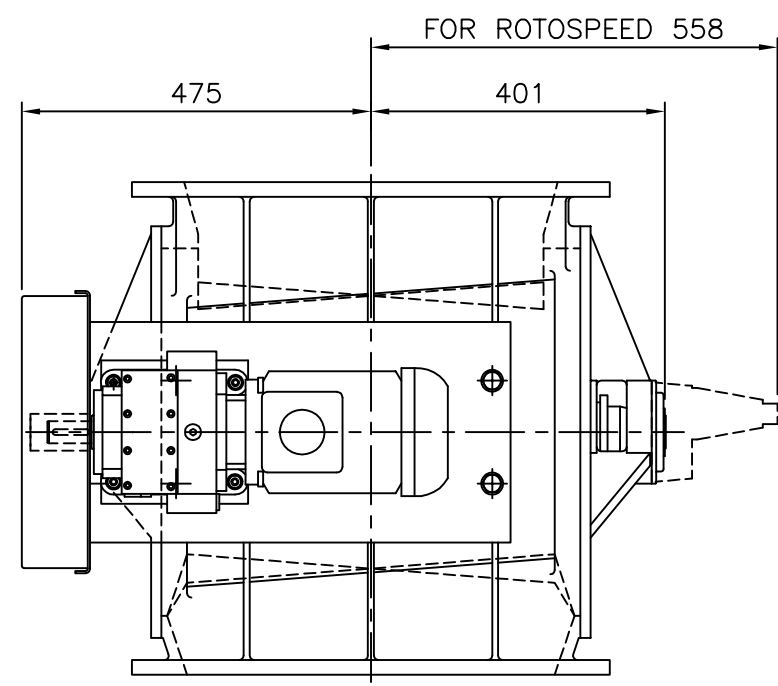


OPTIONS

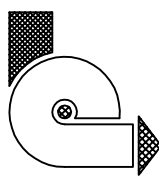
1. FOR EXPOSED INLET OR OUTLET SAFETY GUARDS ARE REQUIRED.
2. 2 OFF 1" BSP (OR NPT) BODY VENT ON NON-DRIVE SIDE.
3. 1/8" BSP (OR NPT) AIR PURGED END COVER GLANDS.
4. ROTOSPEED SENSOR AS INDICATED.
5. INSPECTION DOOR ON NON-DRIVE SIDE (NOT SHOWN) WITH 486 x 100mm APERTURE.

NOTES

1. SIEMENS Z48 1.5KW (2 HP) GEARMOTOR.
2. VALVE SHAFT Ø50mm. DRIVE SHAFT Ø30mm.



H	WAS OPPERMAN TEMPO 20 GEARBOX	AB 17/03/2008
G	OPTIONS & ROTOSPEED ADDED	(1442)
F	LENGTH OF BACK PLATE WAS 666 NOW 699mm TO SUIT FAB SHOP BACK PLATES.	N.F. 9/1/96
<b>AMENDMENTS</b>		



# ROTOLOK LTD

everything under control . . .

1 MILLENNIUM PLACE,  
TIVERTON BUSINESS PARK,  
TIVERTON, DEVON, EX16 6SB.  
Tel: 01884 232232

This drawing is the property of ROTOLOK LTD and is loaned subject to the condition that it shall not be reproduced, copied, loaned or submitted to others without our consent.

ITEM	PART No.	QTY	DESCRIPTION	MATL.	DWG REF
CLIENT			TITLE		
MOTORISED STANDARD			GENERAL ARRANGEMENT		
SCALE N.T.S.			500mm SQUARE ROTARY VALVE		
DRAWN			DRAWING No.		
6/4/94			10017		
CHECKED			ISSUE <input checked="" type="checkbox"/> H		
APPROVED					