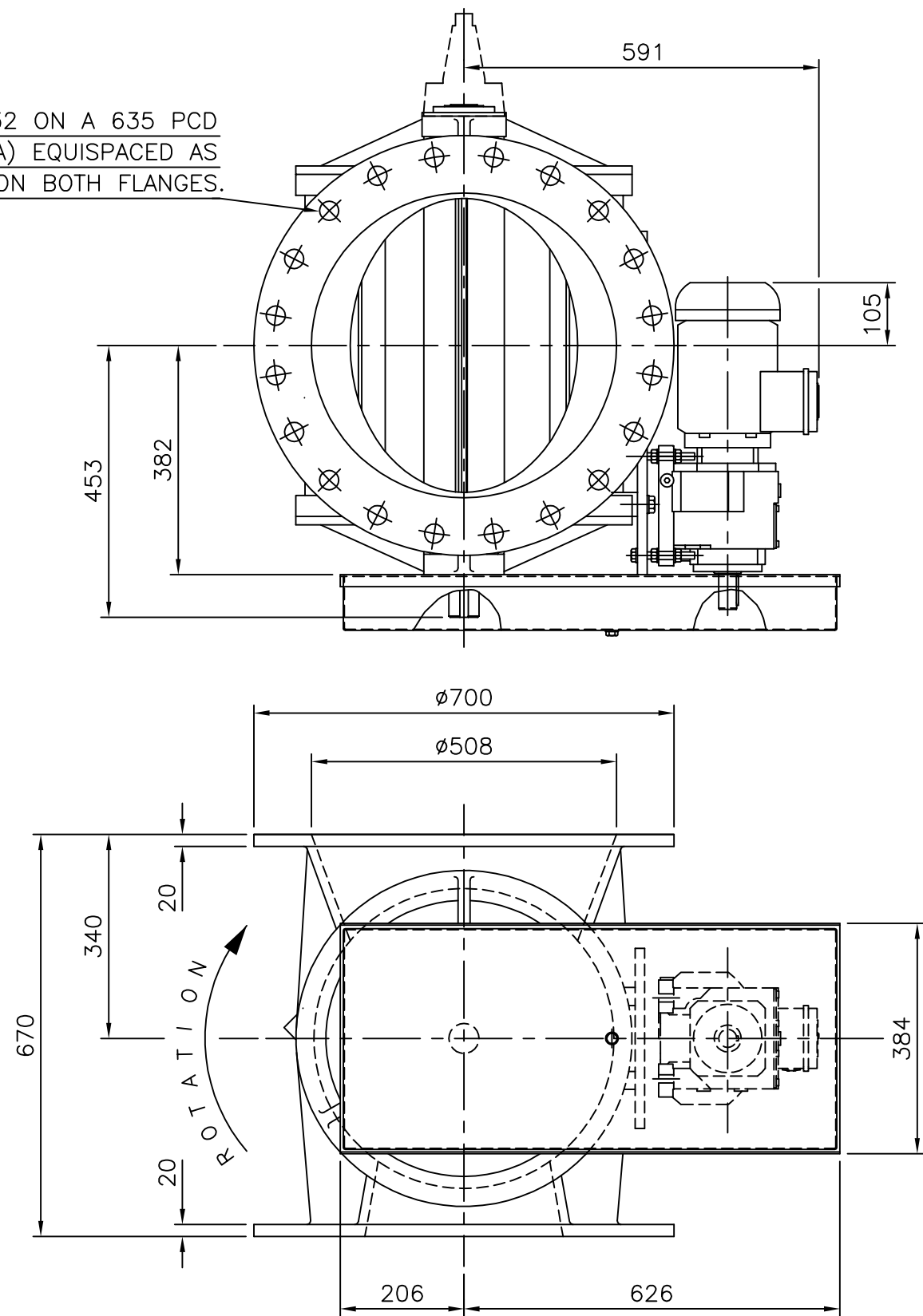


IF IN DOUBT ASK

20 HOLES $\phi 32$ ON A 635 PCD
(150lb ASA) EQUISPACED AS
SHOWN ON BOTH FLANGES.

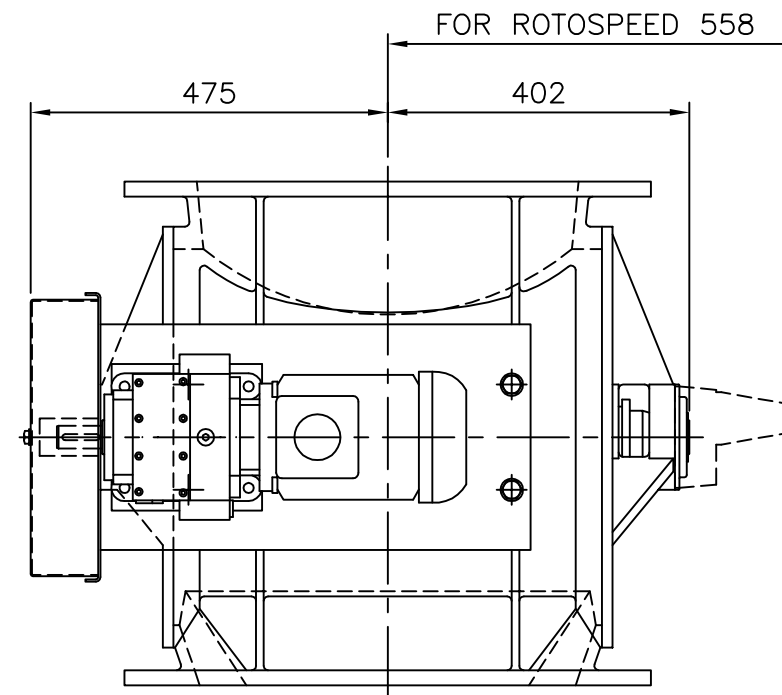


OPTIONS

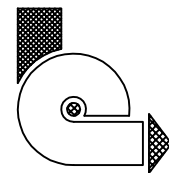
1. FOR EXPOSED INLET OR OUTLET SAFETY GUARDS ARE REQUIRED.
2. 2 OFF 1" BSP (OR NPT) BODY VENT ON NON-DRIVE SIDE.
3. 1/8" BSP (OR NPT) AIR PURGED END COVER GLANDS.
4. ROTOSPEED SENSOR AS INDICATED.
5. INSPECTION DOOR ON NON-DRIVE SIDE (NOT SHOWN) WITH 486 x 100mm APERTURE.

NOTES

1. SIEMENS Z48 1.5KW (2 HP) GEARMOTOR.
2. VALVE SHAFT $\phi 50$ mm. DRIVE SHAFT $\phi 30$ mm.



ITEM	PART No.	QTY	DESCRIPTION	MATL.	DWG REF
CLIENT			TITLE		
MOTORISED STANDARD			GENERAL ARRANGEMENT		
SCALE N.T.S.			DRAWING No.		
DRAWN			10016		
D.T.J.H.			ISSUE E		
30.03.93					



ROTOLOK LTD

everything under control . . .

1 MILLENNIUM PLACE,
TIVERTON BUSINESS PARK,
TIVERTON, DEVON, EX16 6SB.
Tel: 01884 232232

This drawing is the property of ROTOLOK LTD and is loaned subject to the condition that it shall not be reproduced, copied, loaned or submitted to others without our consent.

AMENDMENTS	DESCRIPTION	DATE	BY
E	WAS OPPERMAN TEMPO 20 GEARBOX	05/03/2008	AB
D	OPTIONS & ROTOSPEED ADDED	(1442)	
C	MOTOR BOSSES MOVED	(1036)	(981)
B	SIDE VIEW ADDED, IMPERIAL EQUIVALENT INLET	(160)	