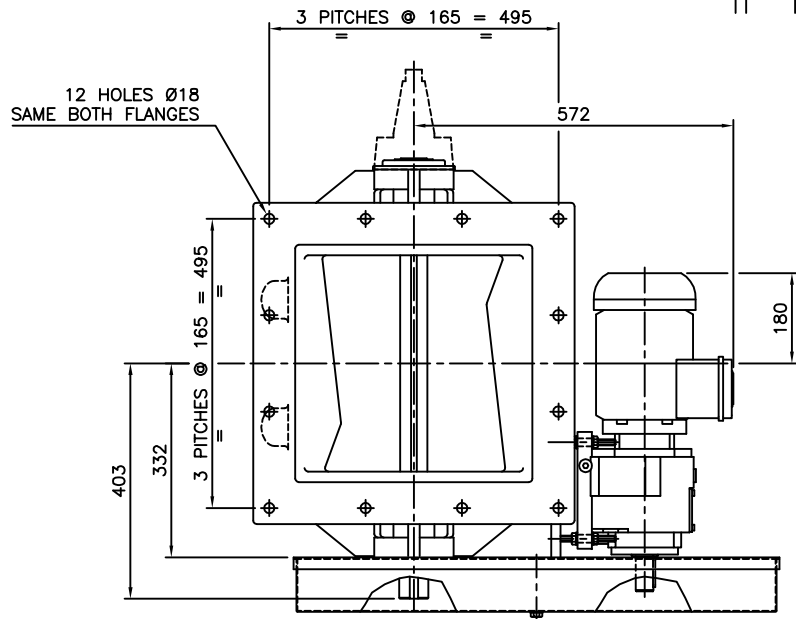
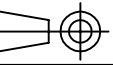


IF IN DOUBT ASK

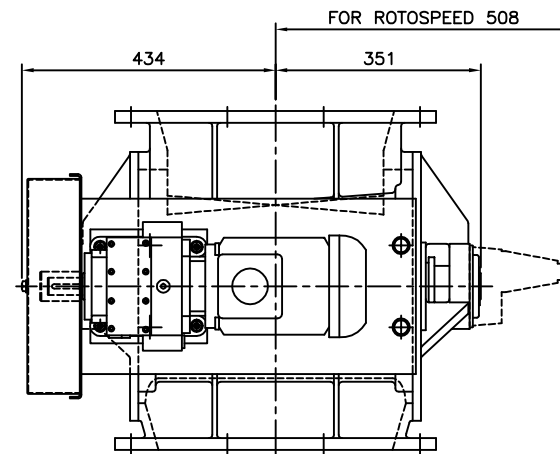
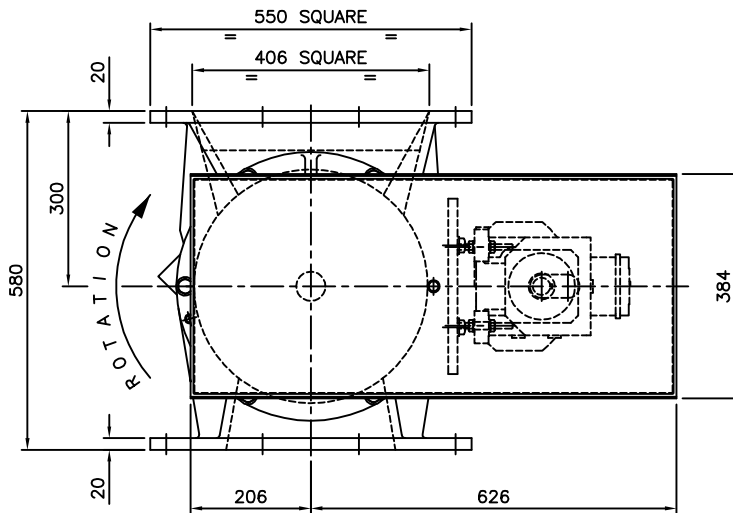


OPTIONS:

1. FOR EXPOSED INLET OR OUTLET SAFETY GUARDS ARE REQUIRED.
2. 2 OF 1" BSP (OR NPT) BODY VENT ON NON-DRIVE SIDE.
3. 1/8" BSP (OR NPT) AIR PURGED END COVER GLANDS.
4. ROTOSPEED SENSOR AS INDICATED.
5. INSPECTION DOOR ON NON-DRIVE SIDE (NOT SHOWN) WITH 386 x 100mm APERTURE.

NOTES:

1. SIEMENS FLENDER Z48 - M90S4 GEARMOTOR.
2. VALVE SHAFT Ø50mm, DRIVE SHAFT Ø30mm.



ITEM	PART No.	QTY	DESCRIPTION	MATL.	DWG REF
CLIENT			TITLE		
MOTORISED STANDARD			GENERAL ARRANGEMENT		
SCALE N.T.S.			400mm SQUARE ROTARY VALVE		
DRAWN			DRAWING No.		
CHECKED			10015		
APPROVED			ISSUE <input checked="" type="checkbox"/> <input checked="" type="checkbox"/> D		
21/12/93					



ROTOLOK LTD

everything under control . . .

1 MILLENNIUM PLACE,
TIVERTON BUSINESS PARK,
TIVERTON, DEVON, EX16 6SB.
Tel: 01884 232232

This drawing is the property of ROTOLOK LTD and is loaned subject to the condition that it shall not be reproduced, copied, loaned or submitted to others without our consent.

D	OPPERMAN GEARBOX SWAPPED FOR SIEMENS Z48. DIMENSIONS 554 NOW 572, 115 NOW 180, 425 NOW 434 (22/02/2007 - M.D.J.)
C	OPTIONS & ROTOSPEED ADDED (1442)
B	IMPERIAL EQUIVALENT INLET (266)
AMENDMENTS	