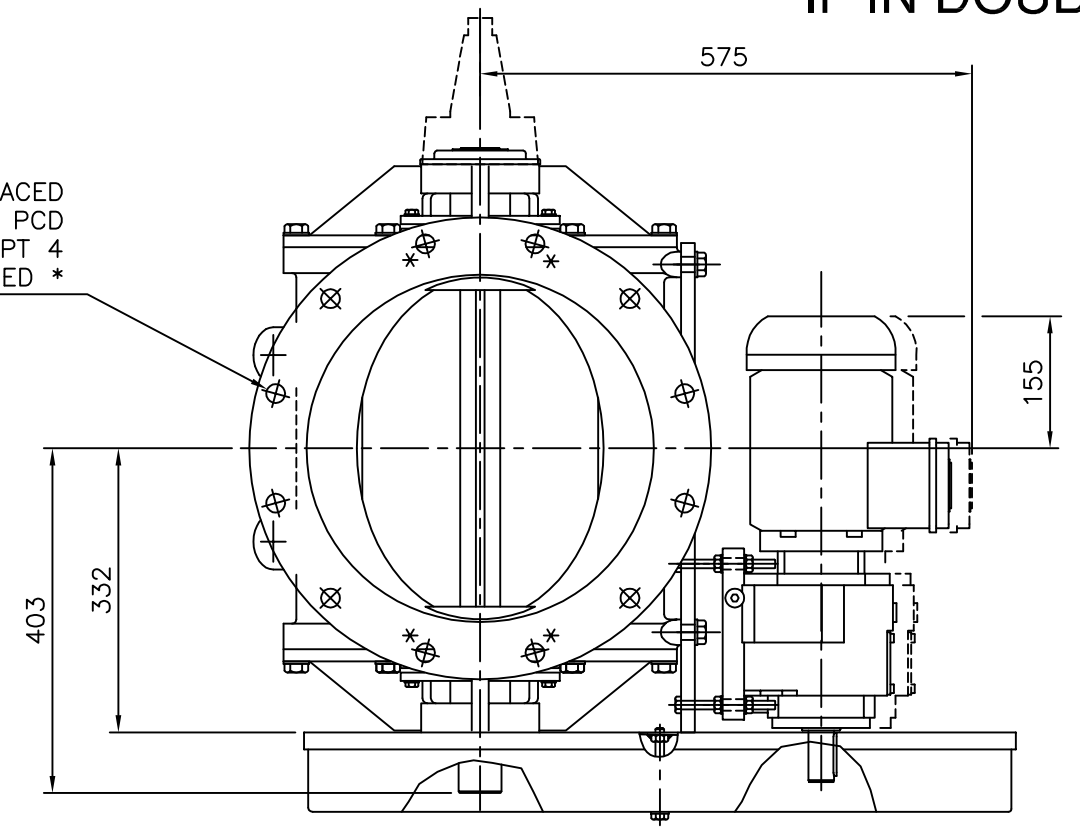


IF IN DOUBT ASK

12 HOLES $\phi 22$ EQUI-SPACED AS SHOWN ON 495 PCD SAME FOR OUTLET EXCEPT 4 HOLES D&T M20 MARKED *

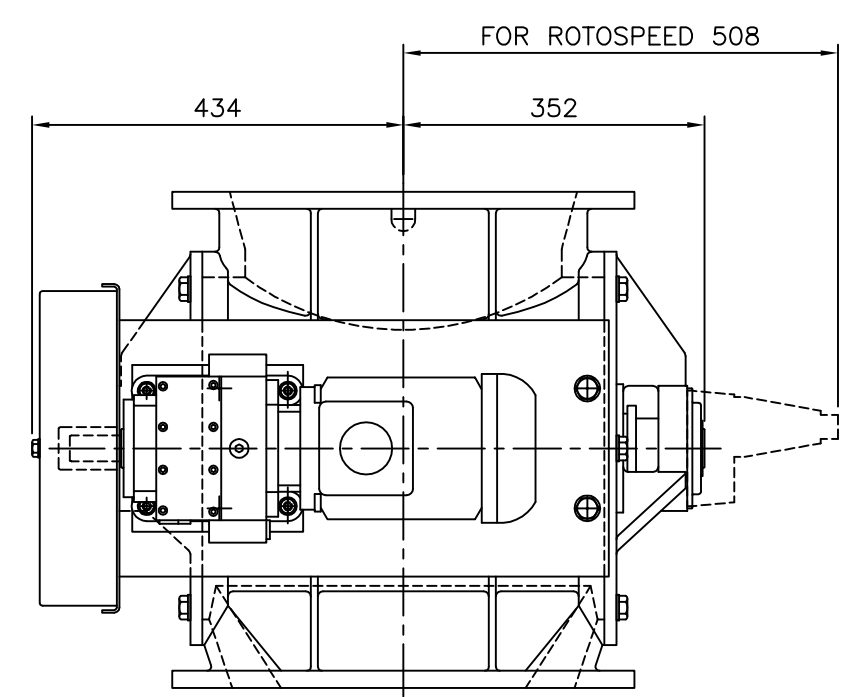
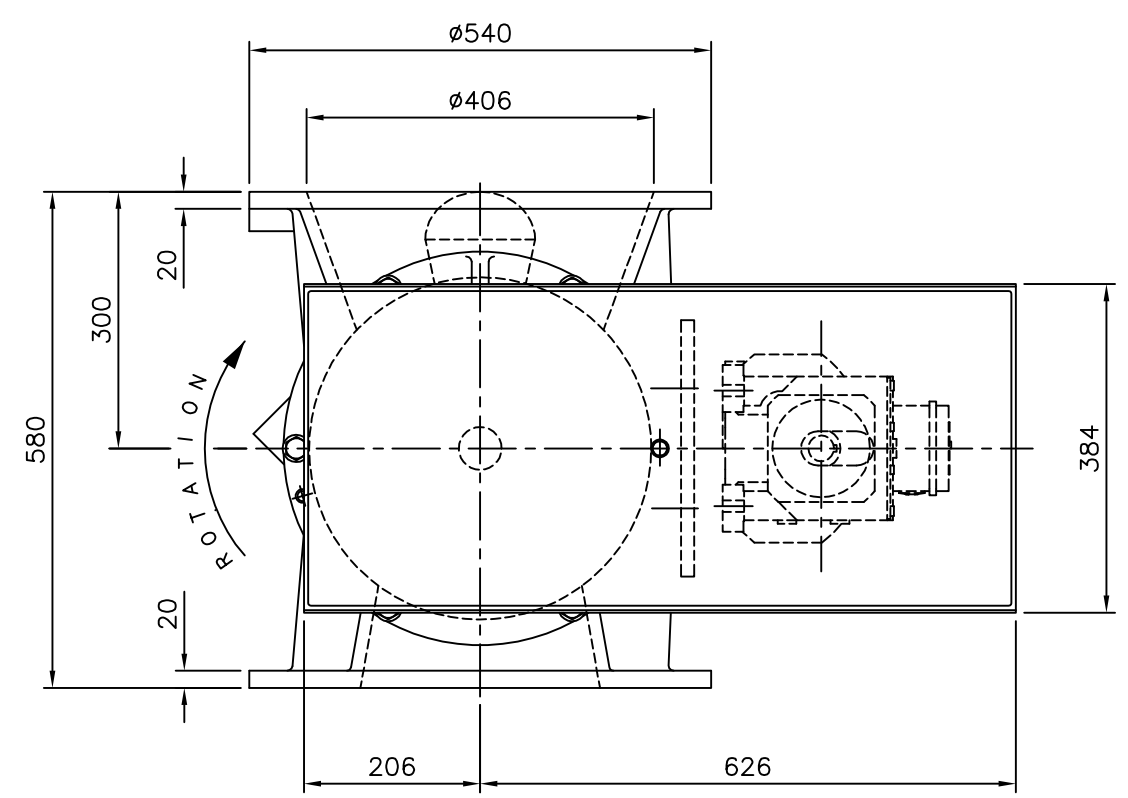


OPTIONS

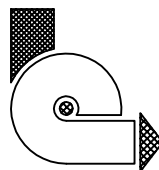
1. FOR EXPOSED INLET OR OUTLET SAFETY GUARDS ARE REQUIRED.
2. 2 OFF 1" BSP (OR NPT) BODY VENT ON NON DRIVE SIDE.
3. 1/8" BSP (OR NPT) AIR PURGED END COVER GLANDS.
4. ROTOSPEED SENSOR AS INDICATED.
5. INSPECTION DOOR ON NON-DRIVE SIDE (NOT SHOWN) WITH 386 x 100mm APERTURE.

NOTES

1. SIEMENS Z48 1.1KW (1 1/2HP) GEARMOTOR.
2. VALVE SHAFT $\phi 50$ mm DRIVE SHAFT $\phi 30$ mm.



E	WAS OPPERMAN TDM10 GEARMOTOR	T.P 26/2/2007
D	OPTIONS & ROTOSPEED ADDED	(1442)
C	FLANGE DRILLINGS WERE $\phi 23$	(745)
B	INLET WAS $\phi 400$	(266)
AMENDMENTS		



ROTOLOK LTD

everything under control . . .

1 MILLENNIUM PLACE,
TIVERTON BUSINESS PARK,
TIVERTON, DEVON, EX16 6SB.
Tel: 01884 232232

This drawing is the property of ROTOLOK LTD and is loaned subject to the condition that it shall not be reproduced, copied, loaned or submitted to others without our consent.

ITEM	PART No.	QTY	DESCRIPTION	MATL.	DWG REF
CLIENT			TITLE		
MOTORISED STANDARD			GENERAL ARRANGEMENT		
SCALE N.T.S.			DRAWING No.		
			10014		
DRAWN			CHECKED	APPROVED	ISSUE <input checked="" type="checkbox"/> E
21/12/93					