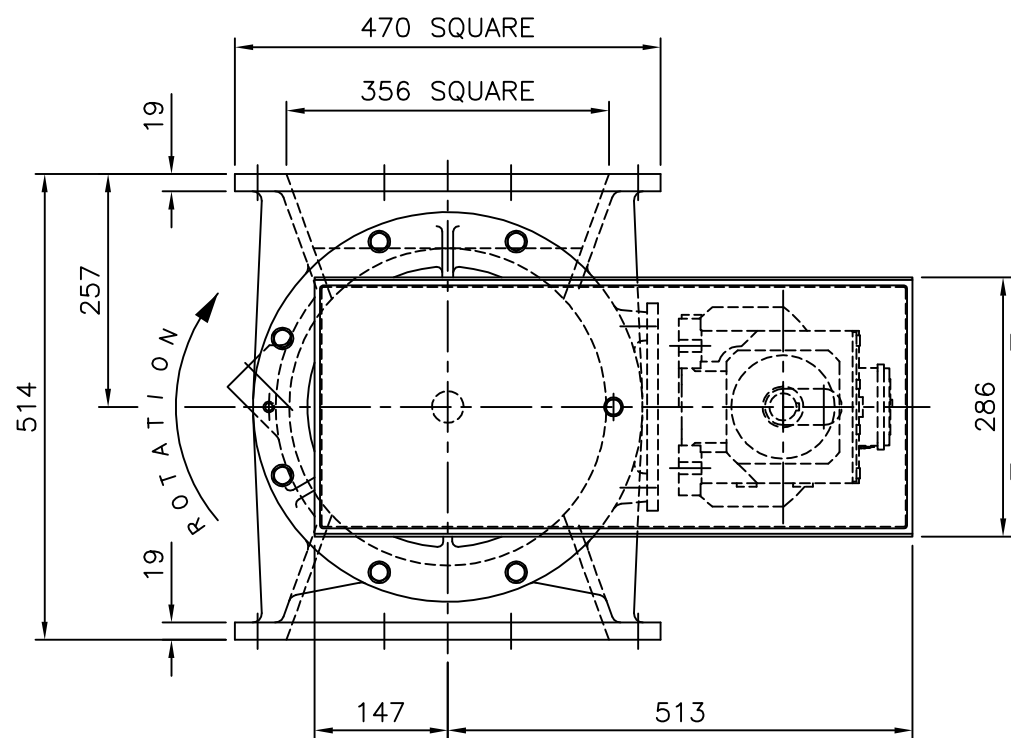
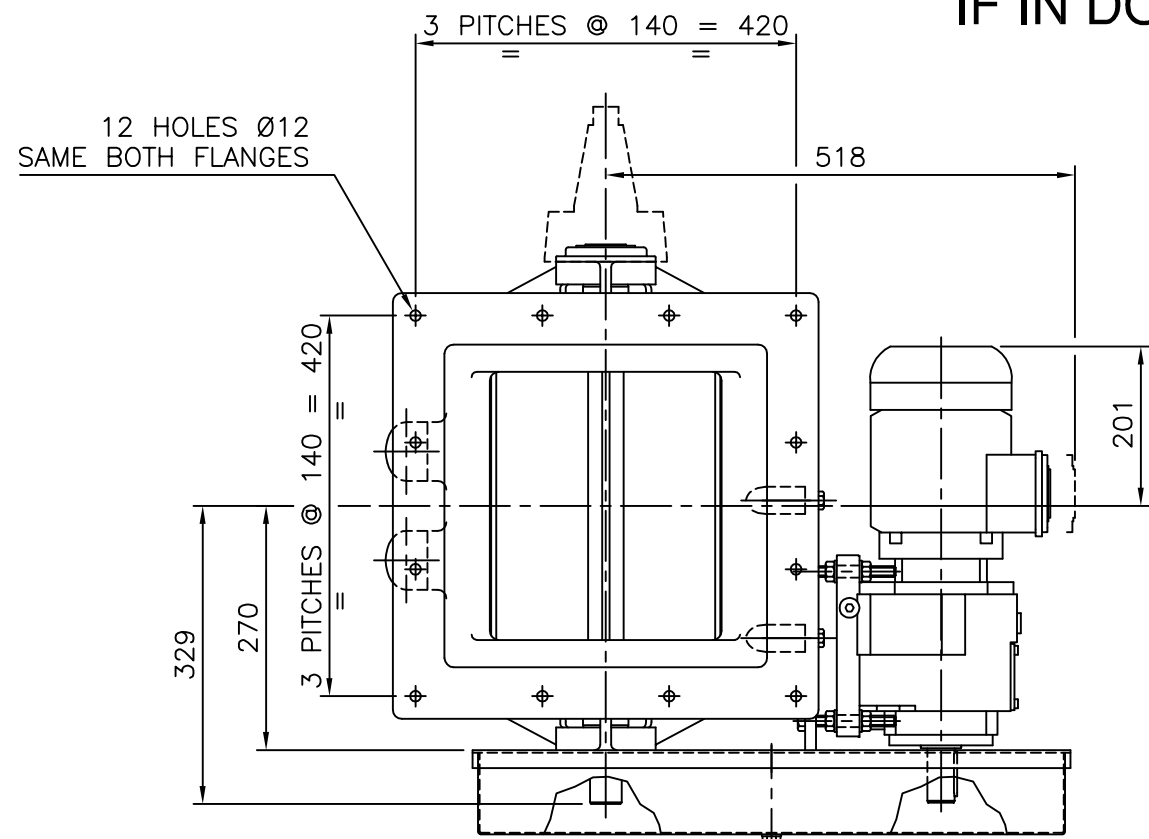
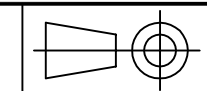


IF IN DOUBT ASK

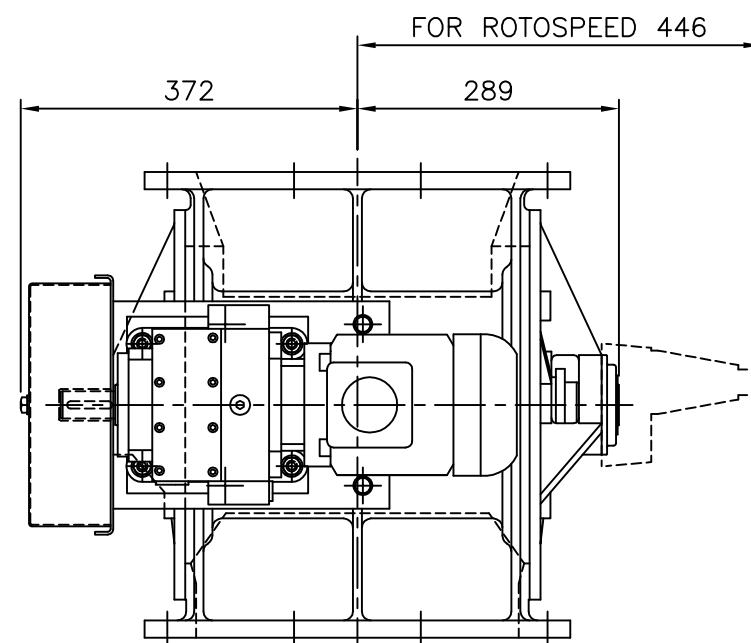


OPTIONS

1. FOR EXPOSED INLET OR OUTLET SAFETY GUARDS ARE REQUIRED.
2. 2 OFF 1" BSP (OR NPT) BODY VENT ON NON-DRIVE SIDE.
3. 1/8" BSP (OR NPT) AIR PURGED END COVER GLANDS.
4. ROTOSPEED SENSOR AS INDICATED.
5. INSPECTION DOOR ON NON-DRIVE SIDE (NOT SHOWN) WITH 304 x 84mm APERTURE.

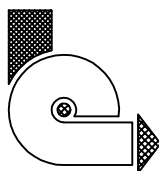
NOTES

1. SIEMENS Z48 0.75KW (1 HP) GEARMOTOR.
2. VALVE SHAFT  $\phi$ 35mm. DRIVE SHAFT  $\phi$ 30mm.



ITEM	PART No.	QTY	DESCRIPTION	MATL.	DWG REF
CLIENT			TITLE		
MOTORISED STANDARD			GENERAL ARRANGEMENT		
SCALE N.T.S.			DRAWING No.		
			10013		
DRAWN			CHECKED	APPROVED	ISSUE <input checked="" type="checkbox"/> E
13/12/93					

E	SIEMENS Z48 GEARBOX NOW FITTED. DIMENSIONS NOW 518, 160 NOW 201, 146 NOW 147, 512 NOW 513, 363 NOW 372 (20/08/2007 - M.D.J.)	
D	OPTIONS & ROTOSPEED ADDED (1442)	
C	BOSS POSITION WAS 225 NOW 225 DWG 10012	(981)
B	FLANGE DRILLINGS WERE $\phi$ 13.	(740)
AMENDMENTS		



# ROTOLOK LTD

everything under control . . .

1 MILLENNIUM PLACE,  
TIVERTON BUSINESS PARK,  
TIVERTON, DEVON, EX16 6SB.  
Tel: 01884 232232

This drawing is the property of ROTOLOK LTD and is loaned subject to the condition that it shall not be reproduced, copied, loaned or submitted to others without our consent.