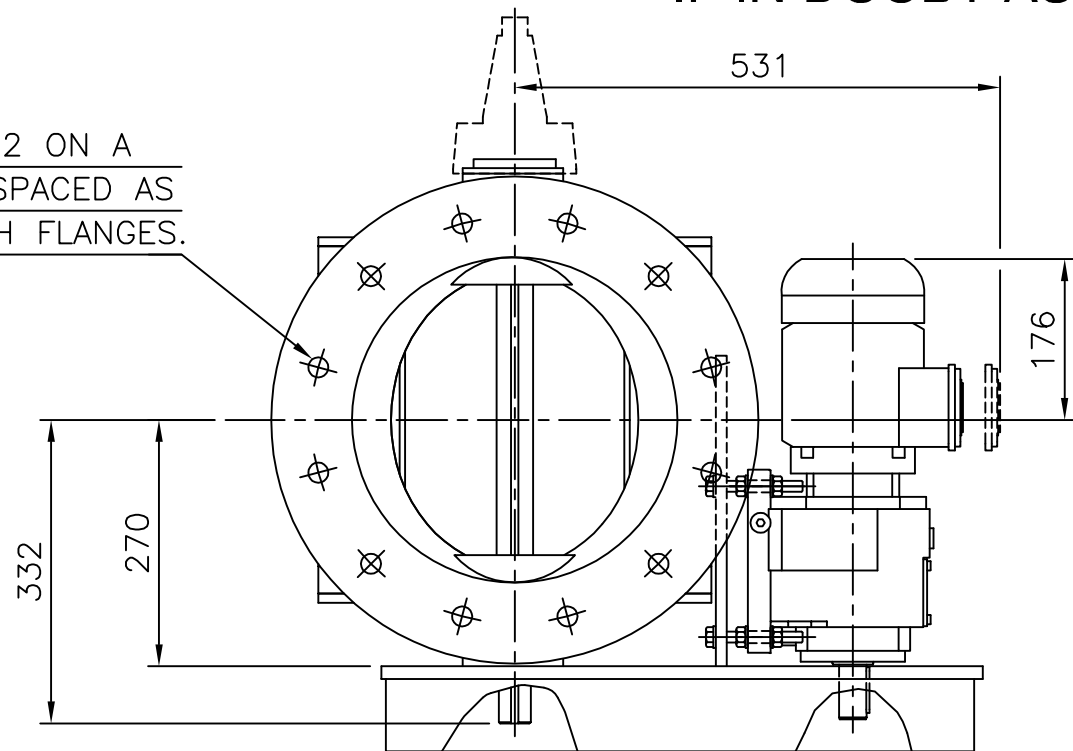


IF IN DOUBT ASK

12 HOLES $\phi 22$ ON A
445 PCD. EQUISPACED AS
SHOWN ON BOTH FLANGES.

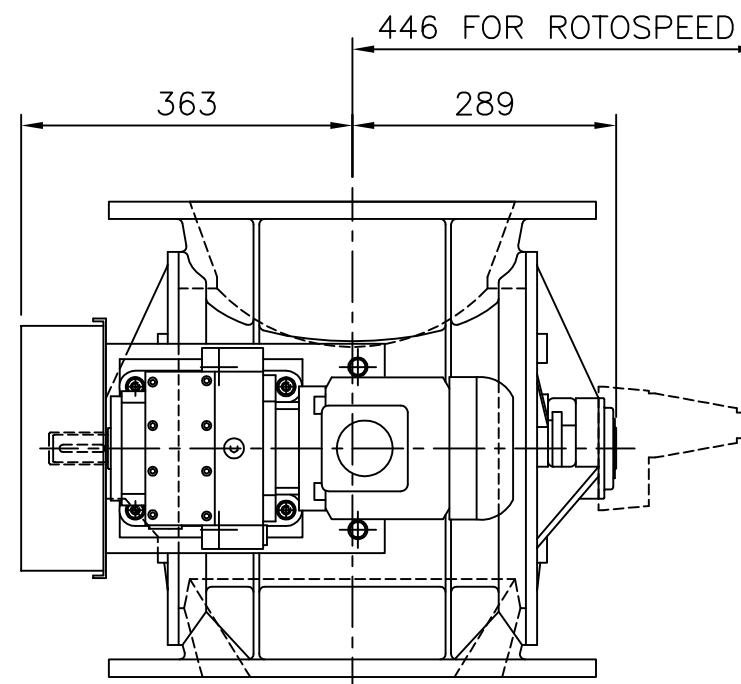
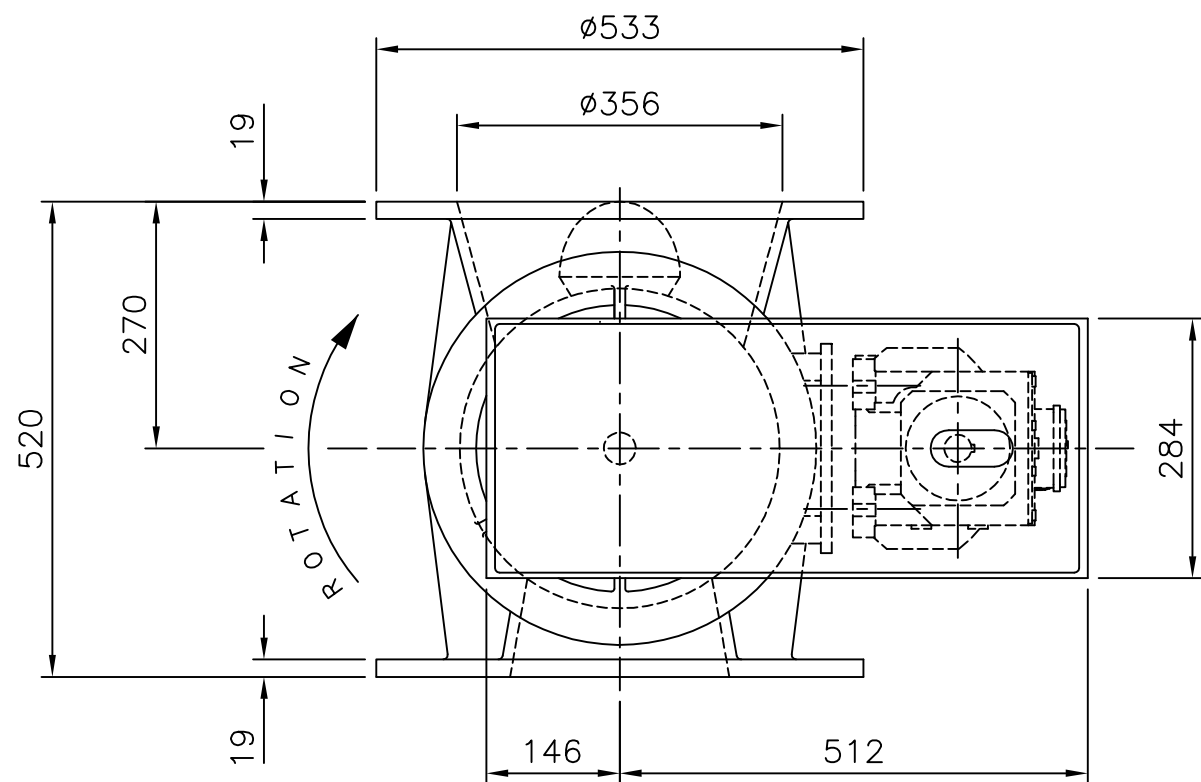


OPTIONS :

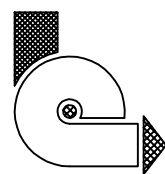
- 1: FOR EXPOSED INLET OR OUTLET SAFETY GUARDS ARE REQUIRED.
- 2: 2 OFF 1" BSP (OR NPT) BODY VENT ONNON-DRIVE SIDE.
- 3: 1/8" BSP (OR NPT) AIR PURGED END COVER GLANDS.
- 4: ROTOSPEED SENSOR AS INDICATED.
- 5: INSPECTION DOOR ON NON-DRIVE SIDE (NOT SHOWN) WITH 304 x 84mm APERTURE.

NOTES :

- 1: SIEMENS Z48 0.75kW (1 HP) GEARMOTOR.
- 2: VALVE SHAFT $\phi 35$ mm, DRIVE SHAFT $\phi 30$ mm.



E	WAS OPPERMAN TEMPO 10 GEARBOX ^{AB} 05/03/2008
D	OPTIONS & ROTOSPEED ADDED (1442)
C	CHANGE IN BOSS POSITION (981)
B	THIRD VIEW ADDED, NOTE 4 ADDED, GUARD & MOTOR DIMS ADDED (272)
AMENDMENTS	



ROTOLOK LTD

everything under control . . .

1 MILLENNIUM PLACE,
TIVERTON BUSINESS PARK,
TIVERTON, DEVON, EX16 6SB.
Tel: 01884 232232

This drawing is the property of ROTOLOK LTD and is loaned subject to the condition that it shall not be reproduced, copied, loaned or submitted to others without our consent.

ITEM	PART No.	QTY	DESCRIPTION	MATL.	DWG REF
CLIENT			TITLE GENERAL ARRANGEMENT		
MOTORISED STANDARD			350mm ROUND ROTARY VALVE		
SCALE N.T.S.			DRAWING No.		
			10012		
DRAWN			CHECKED	APPROVED	ISSUE E
D.T.J.H.					
30.03.93					