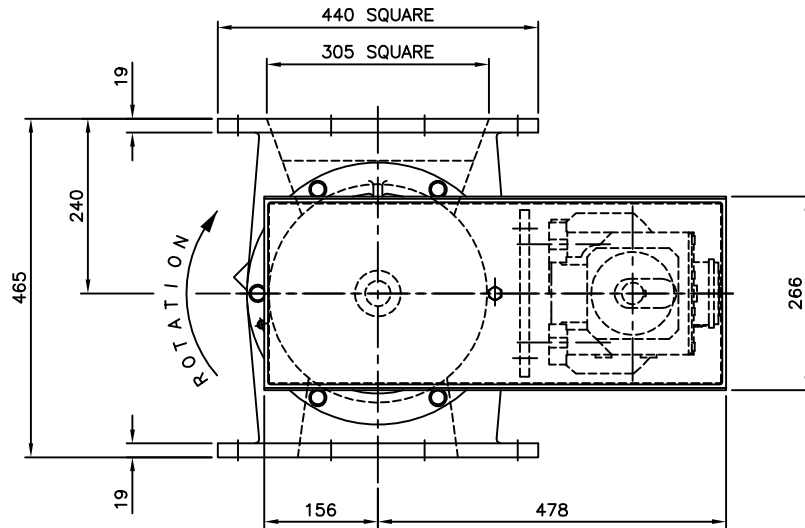
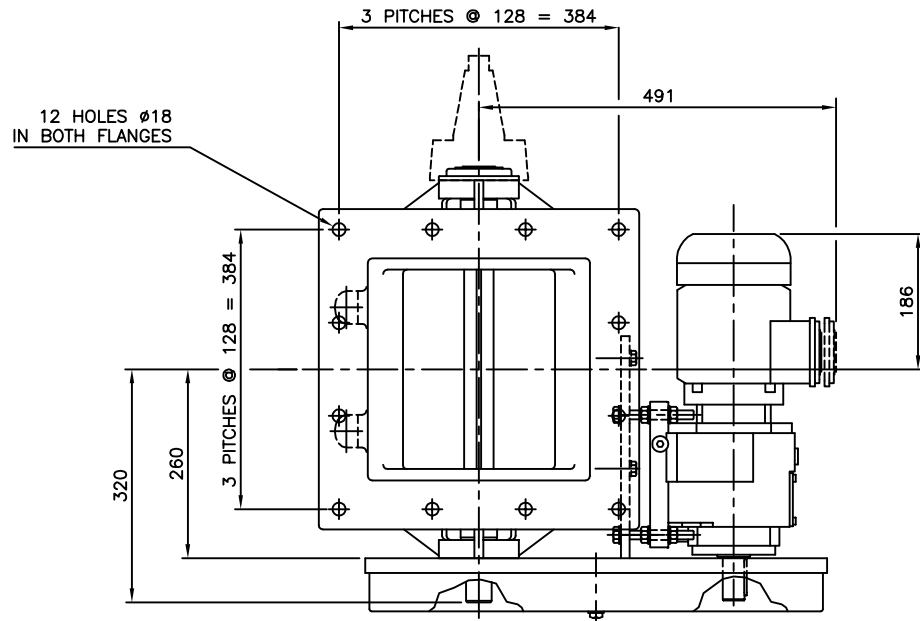


IF IN DOUBT ASK

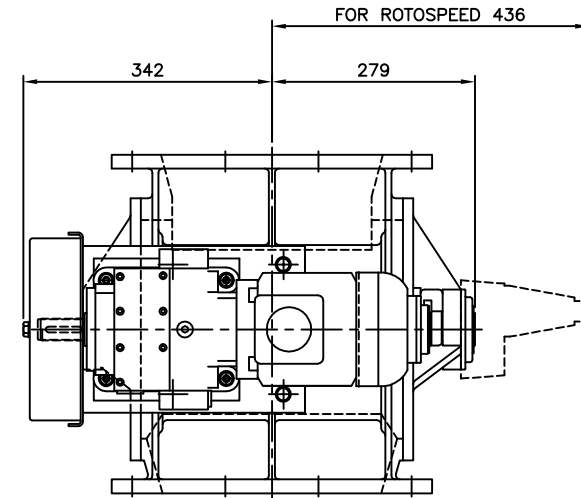


OPTIONS :

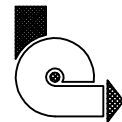
- 1: FOR EXPOSED INLET OR OUTLET SAFETY GUARDS ARE REQUIRED.
- 2: 2 OFF 1" BSP (OR NPT) BODY VENT ON NON-DRIVE SIDE.
- 3: 1/8" BSP (OR NPT) AIR PURGED END COVER GLANDS.
- 4: ROTOSPEED SENSOR AS INDICATED.
- 5: INSPECTION DOOR ON NON-DRIVE SIDE (NOT SHOWN) WITH 300x80mm APERTURE.

NOTES :

- 1: SIEMENS Z48 0.75KW (1 HP) GEARMOTOR.
- 2: VALVE SHAFT Ø35mm. DRIVE SHAFT Ø30mm.



F	WAS OPPERMAN TDM10 GEARMOTOR T.P 28/03/2007
E	OPTIONS & ROTOSPEED ADDED (1442)
D	BOSS POSITION WAS 185 NOW 195 (981)
C	VARIOUS MODIFICATIONS. (267)
B	VARIOUS TO SUIT ALL GA'S. (215)
AMENDMENTS	



ROTOLOK LTD

everything under control . . .

1 MILLENNIUM PLACE,
TIVERTON BUSINESS PARK,
TIVERTON, DEVON, EX16 6SB.
Tel: 01884 232232

This drawing is the property of ROTOLOK LTD and is loaned subject to the condition that it shall not be reproduced, copied, loaned or submitted to others without our consent.

ITEM	PART No.	QTY	DESCRIPTION	MATL.	DWG REF
CLIENT			TITLE		
MOTORISED STANDARD			GENERAL ARRANGEMENT		
SCALE N.T.S.			DRAWING No.		
			10011		
DRAWN			CHECKED	APPROVED	ISSUE F
30/9/93					