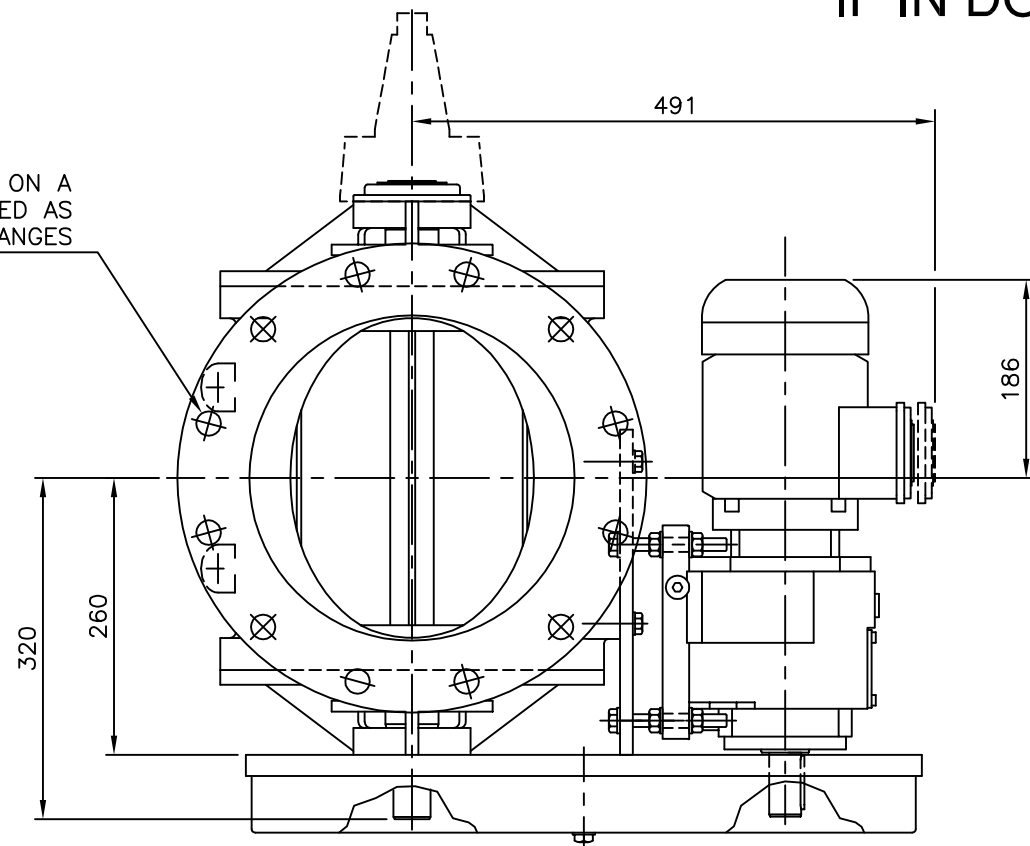


IF IN DOUBT ASK



12 HOLES  $\phi 22$  ON A 395 PCD EQUISPACED AS SHOWN ON BOTH FLANGES

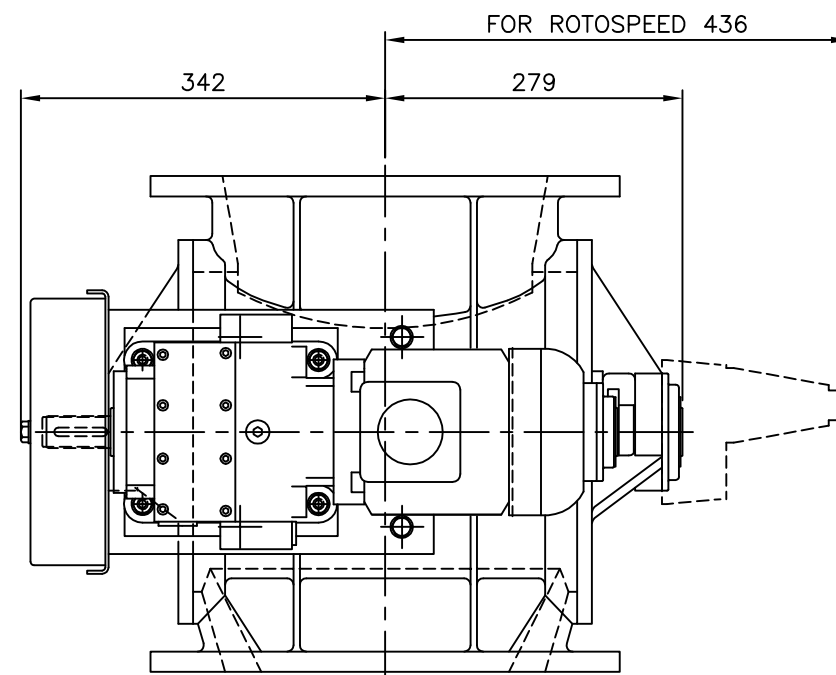
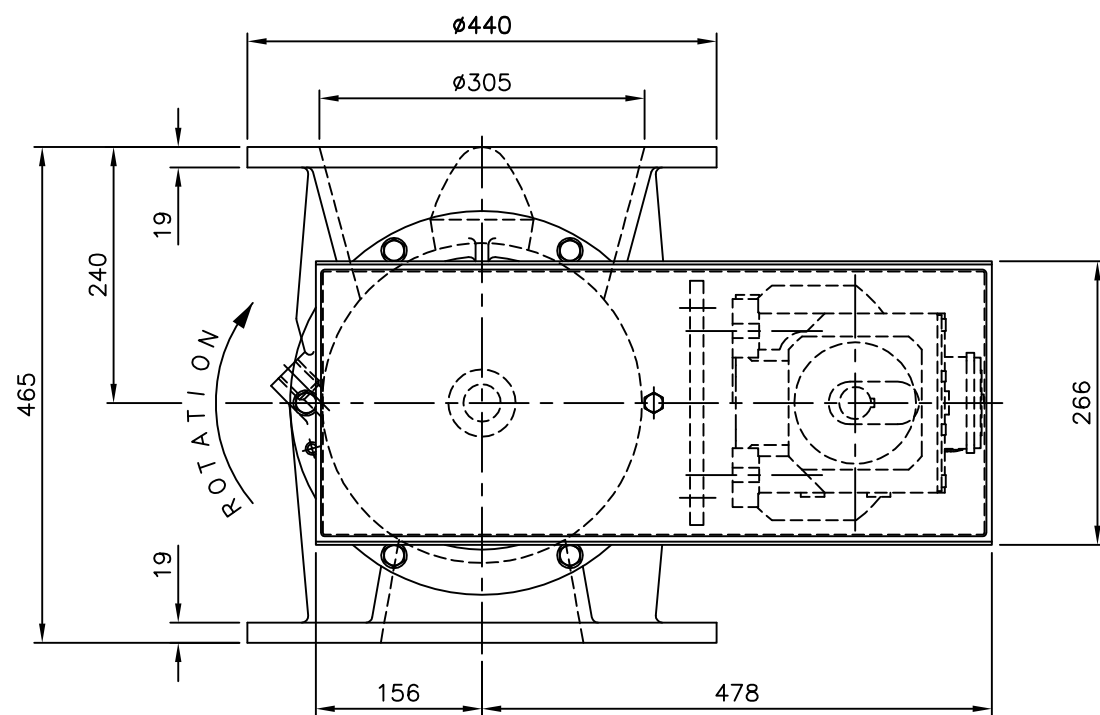


OPTIONS :

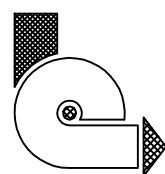
- 1: FOR EXPOSED INLET OR OUTLET SAFETY GUARDS ARE REQUIRED.
- 2: 2 OFF 1" BSP (OR NPT) BODY VENT ON NON-DRIVE SIDE.
- 3: 1/8" BSP (OR NPT) AIR PURGED END COVER GLANDS.
- 4: ROTOSPEED SENSOR AS INDICATED.
- 5: INSPECTION DOOR ON NON-DRIVE SIDE (NOT SHOWN) WITH 300x80mm APERTURE.

NOTES :

- 1: SIEMENS Z48 0.75KW (1 HP) GEARMOTOR.
- 2: VALVE SHAFT  $\phi 35$ mm. DRIVE SHAFT  $\phi 30$ mm.



ITEM	PART No.	QTY	DESCRIPTION	MATL.	DWG REF
CLIENT			TITLE GENERAL ARRANGEMENT		
MOTORISED STANDARD			300mm ROUND ROTARY VALVE		
SCALE N.T.S.			DRAWING No.		
			10010		
DRAWN			CHECKED	APPROVED	ISSUE <input checked="" type="checkbox"/> C
14/12/93					



ROTOLOK LTD

everything under control . . .

1 MILLENNIUM PLACE,  
TIVERTON BUSINESS PARK,  
TIVERTON, DEVON, EX16 6SB.  
Tel: 01884 232232

This drawing is the property of ROTOLOK LTD and is loaned subject to the condition that it shall not be reproduced, copied, loaned or submitted to others without our consent.

C WAS OPPERMAN TDM10 GEARMOTOR T.P 23/2/2007

B OPTIONS & ROTOSPEED ADDED (1442)

AMENDMENTS