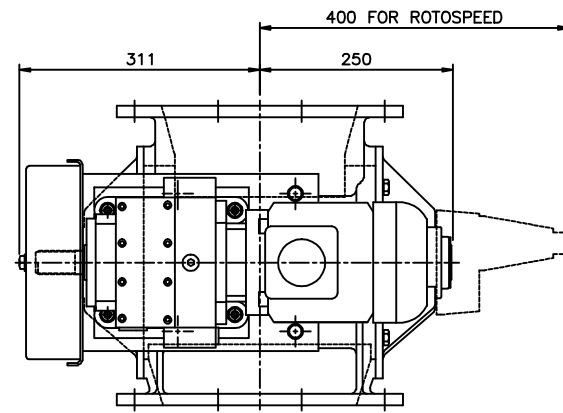
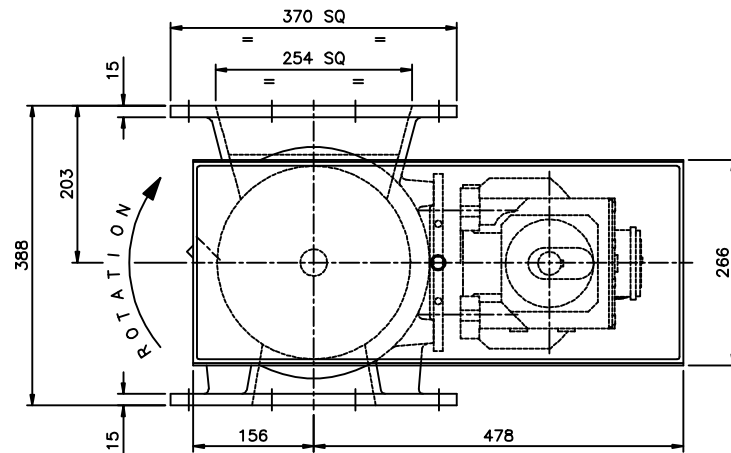
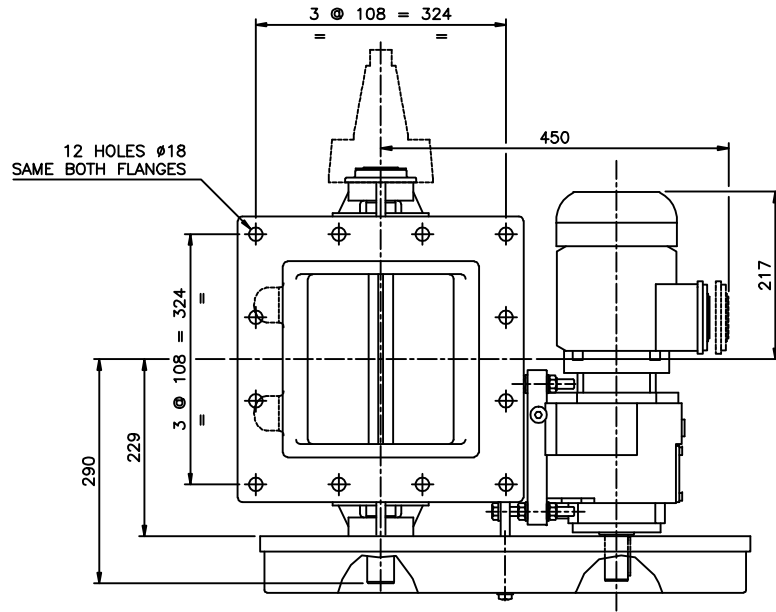
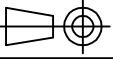


IF IN DOUBT ASK



OPTIONS :

- 1: FOR EXPOSED INLET OR OUTLET SAFETY GUARDS ARE REQUIRED.
- 2: 2 OFF 1" BSP (OR NPT) BODY VENT ON NON-DRIVE SIDE.
- 3: 1/8" BSP (OR NPT) AIR PURGED END COVER GLANDS.
- 4: ROTOSPEED SENSOR AS INDICATED.
- 5: INSPECTION DOOR ON NON-DRIVE SIDE (NOT SHOWN) WITH 194x64mm APERTURE.

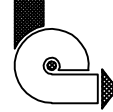
NOTES :

- 1: SIEMENS Z48 0.75KW (1 HP) GEARMOTOR.
- 2: VALVE SHAFT Ø35mm. DRIVE SHAFT Ø30mm.

ITEM	PART No.	QTY	DESCRIPTION	MATL.	DWG REF
------	----------	-----	-------------	-------	---------

CLIENT			TITLE		
MOTORISED STANDARD			GENERAL ARRANGEMENT		
SCALE N.T.S.			DRAWING No.		
DRAWN			10007		
CHECKED			ISSUE <input checked="" type="checkbox"/> E		
APPROVED					
24/11/93					

E	WAS OPPERMAN TD10 GEARBOX	17/5/2007
D	OPTIONS & ROTOSPEED ADDED	(1442)
C	VALVE SHAFT WAS Ø28mm.	(662)
B	IMPERIAL EQUIVALENT INLET	(266)
AMENDMENTS		



ROTOLOK LTD

everything under control . . .

1 MILLENNIUM PLACE,
TIVERTON BUSINESS PARK,
TIVERTON, DEVON, EX16 6SB.
Tel: 01884 232232

This drawing is the property of ROTOLOK LTD and is loaned subject to the condition that it shall not be reproduced, copied, loaned or submitted to others without our consent.