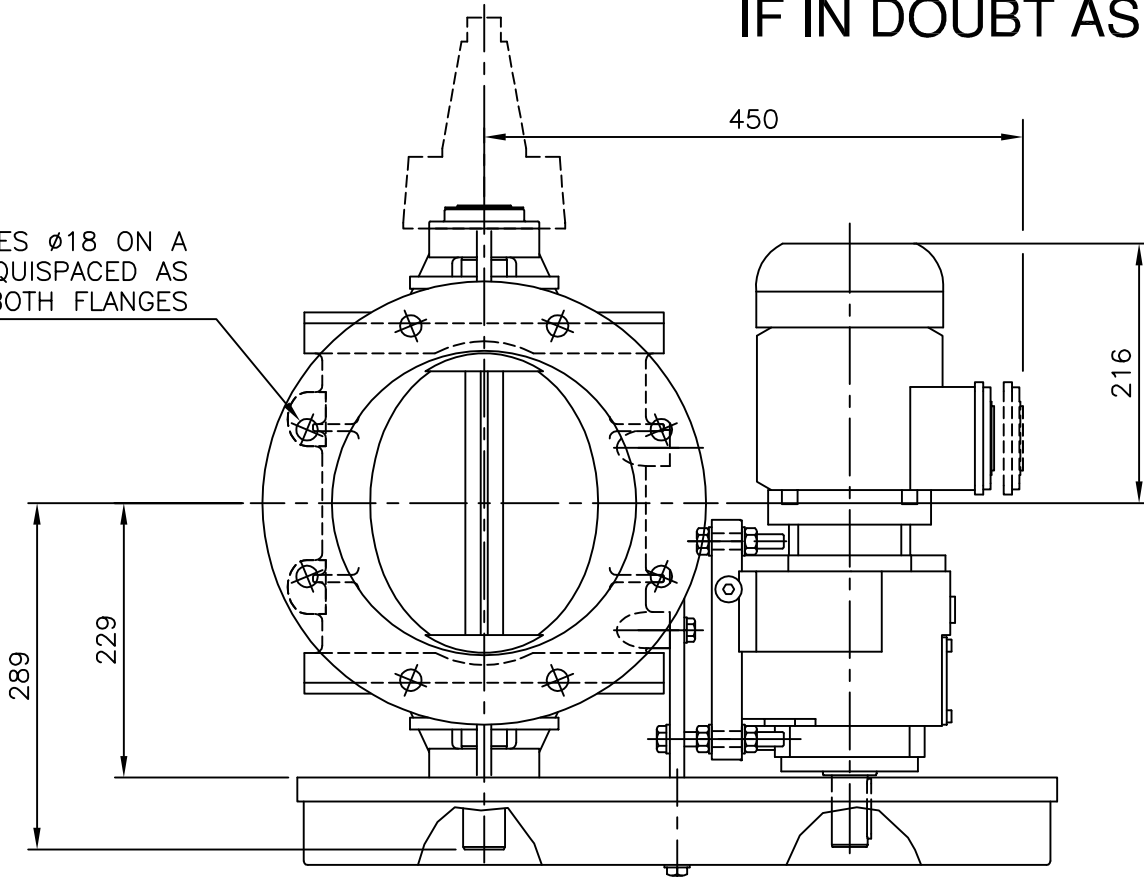


IF IN DOUBT ASK

8 HOLES $\phi 18$ ON A 320 PCD EQUISPACED AS SHOWN ON BOTH FLANGES

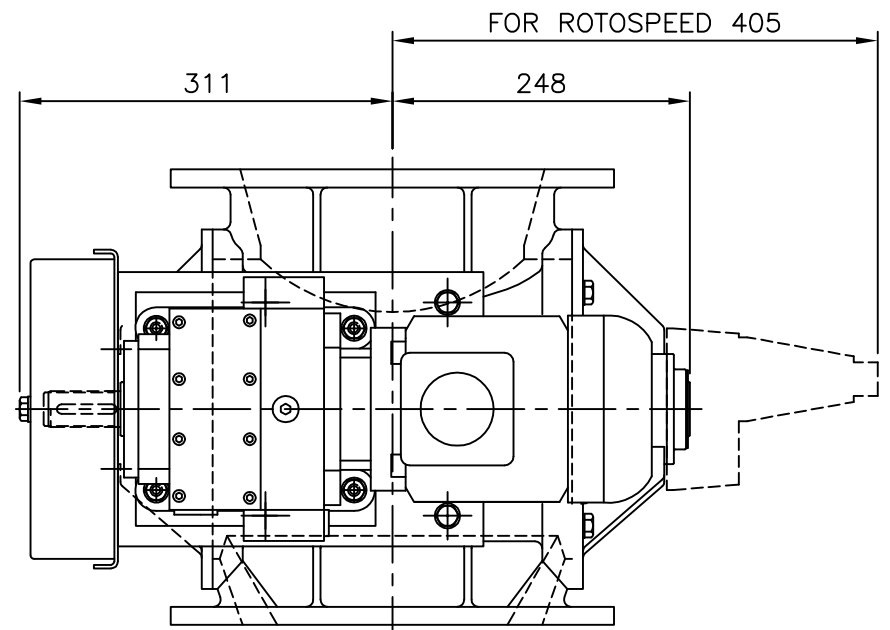
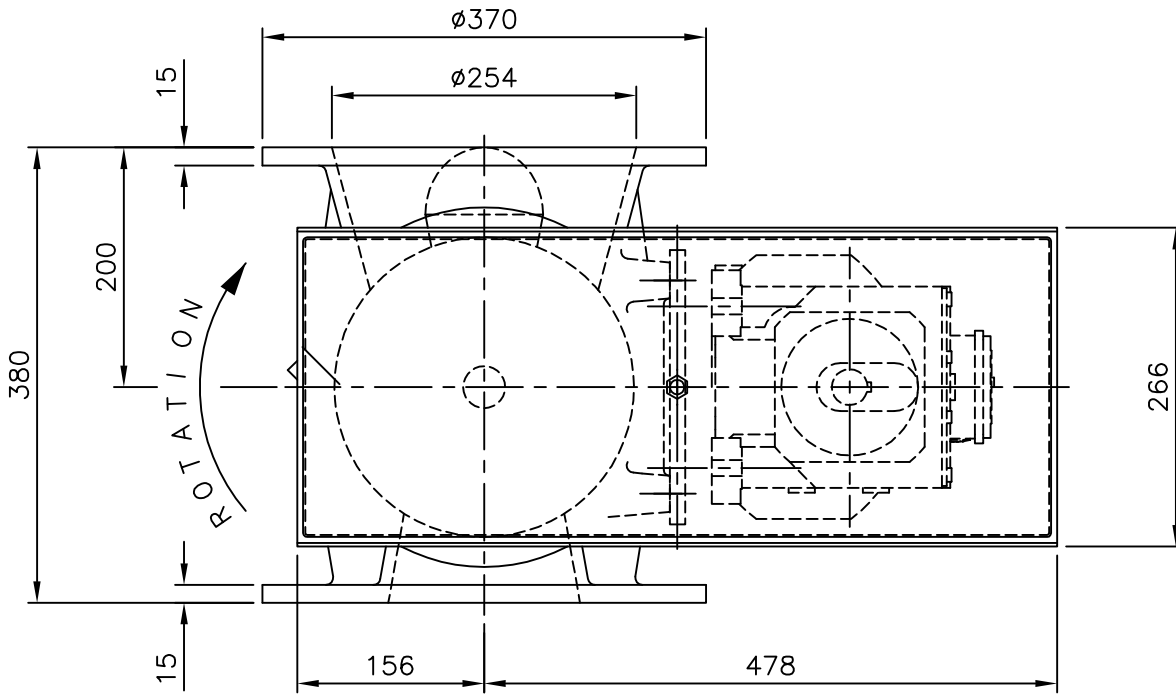


OPTIONS :

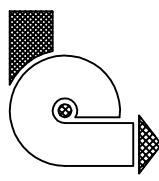
- 1: FOR EXPOSED INLET OR OUTLET SAFETY GUARDS ARE REQUIRED.
- 2: 2 OFF 1" BSP (OR NPT) BODY VENT ON NON-DRIVE SIDE.
- 3: 1/8" BSP (OR NPT) AIR PURGED END COVER GLANDS.
- 4: ROTOSPEED SENSOR AS INDICATED.
- 5: INSPECTION DOOR ON NON-DRIVE SIDE (NOT SHOWN) WITH 194x64mm APERTURE.

NOTES :

- 1: SIEMENS Z48 0.75KW (1 HP) GEARMOTOR.
- 2: VALVE SHAFT $\phi 35$ mm. DRIVE SHAFT $\phi 30$ mm.



AMENDMENTS		
E	WAS OPPERMAN TDM10 GEARMOTOR	T.P 21/2/2007
D	OPTIONS & ROTOSPEED ADDED	(1442)
C	VALVE SHAFT WAS $\phi 28$ mm	(662)
B	IMPERIAL EQUIVALENT INLET	(256)



ROTOLOK LTD

everything under control . . .

1 MILLENNIUM PLACE,
TIVERTON BUSINESS PARK,
TIVERTON, DEVON, EX16 6SB.
Tel: 01884 232232

This drawing is the property of ROTOLOK LTD and is loaned subject to the condition that it shall not be reproduced, copied, loaned or submitted to others without our consent.

ITEM	PART No.	QTY	DESCRIPTION	MATL.	DWG REF
CLIENT			TITLE		
MOTORISED STANDARD			GENERAL ARRANGEMENT 250mm ROUND ROTARY VALVE		
SCALE N.T.S.			DRAWING No.		
			10006		
			ISSUE <input checked="" type="checkbox"/> E		
DRAWN	CHECKED	APPROVED			
<i>dB</i>					
10/12/93					