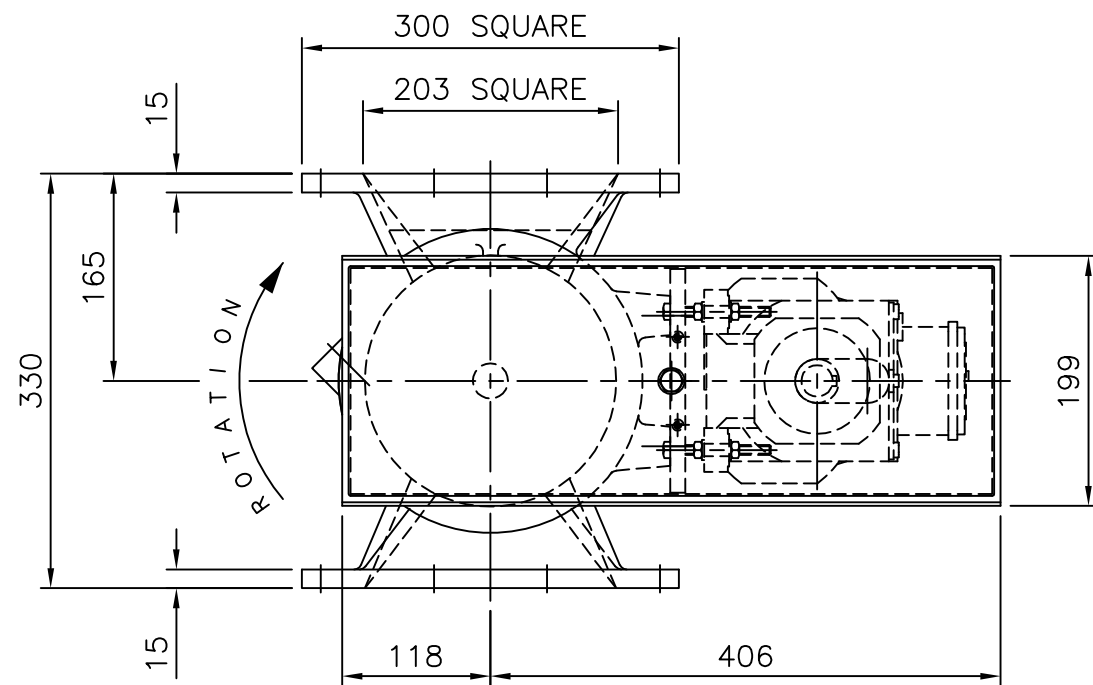
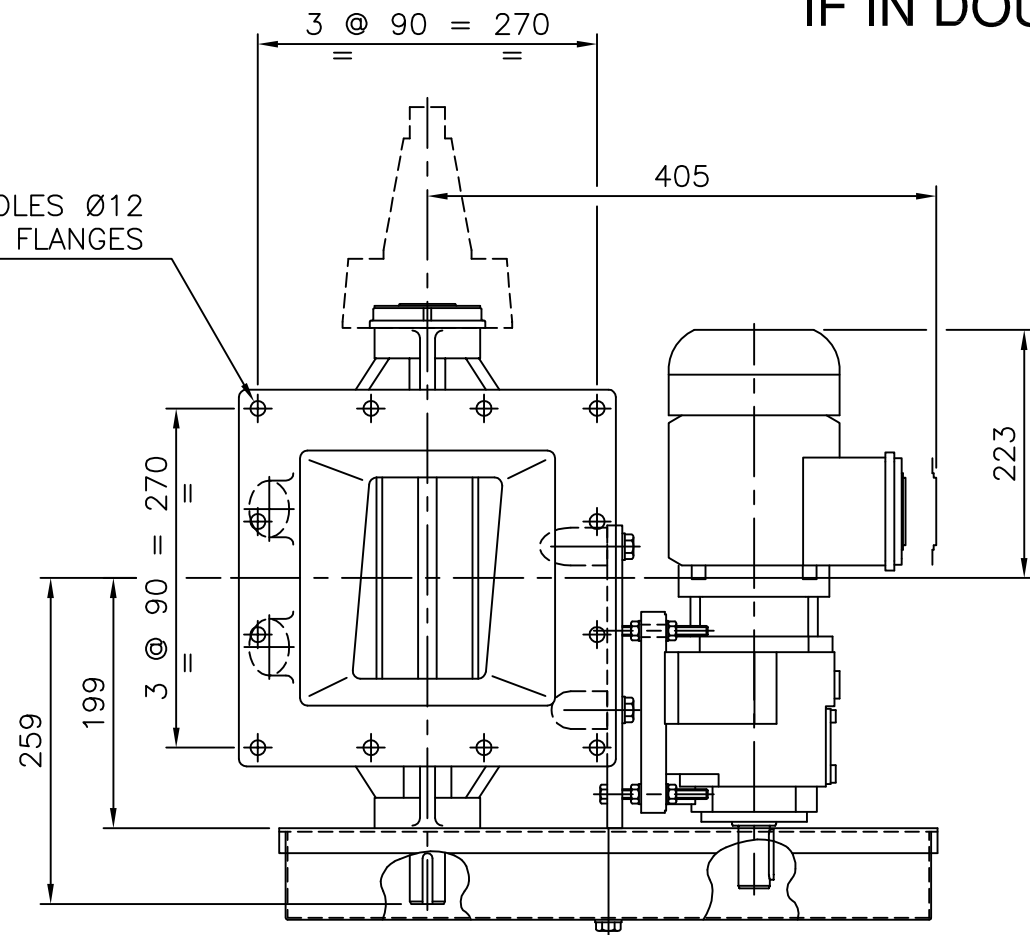


IF IN DOUBT ASK

12 HOLES Ø12
ON BOTH FLANGES

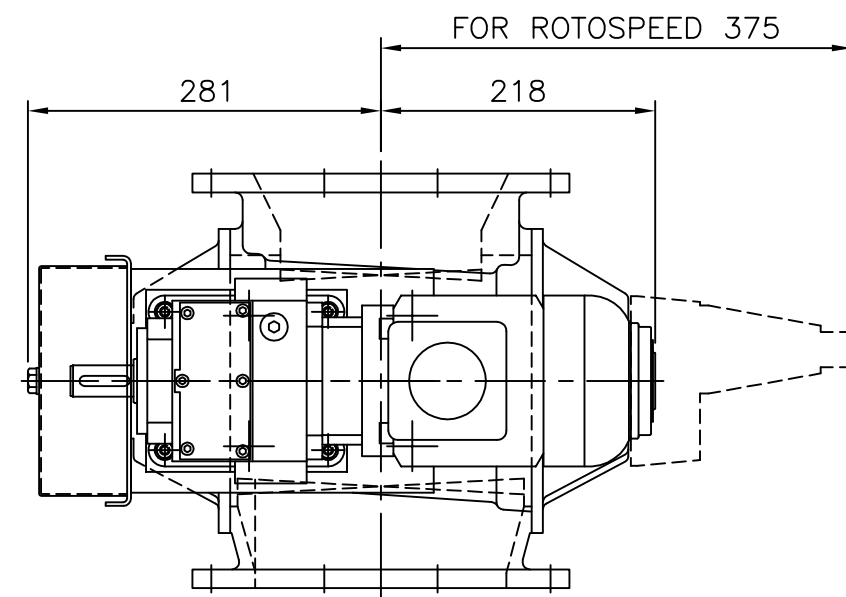


OPTIONS

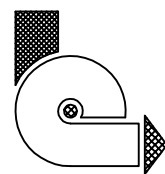
1. FOR EXPOSED INLET OR OUTLET SAFETY GUARDS ARE REQUIRED.
2. 2 OFF 1" BSP (OR NPT) BODY VENT ON NON-DRIVE SIDE.
3. 1/8" BSP (OR NPT) AIR PURGED END COVER GLANDS.
4. ROTOSPEED SENSOR AS INDICATED.
5. INSPECTION DOOR ON NON-DRIVE SIDE (NOT SHOWN) WITH 166 x 50mm APERTURE.

NOTES

1. SIEMENS Z38 0.37KW (1/2 HP) GEARMOTOR.
2. VALVE SHAFT Ø28mm. DRIVE SHAFT Ø25mm.



| ITEM | PART No. | QTY | DESCRIPTION | MATL. | DWG REF |
|--------------------|----------|-----|---------------------------|----------|---|
| CLIENT | | | TITLE GENERAL ARRANGEMENT | | |
| MOTORISED STANDARD | | | 200mm SQUARE ROTARY VALVE | | |
| SCALE N.T.S. | | | DRAWING No. | | |
| | | | 10005 | | |
| DRAWN | | | CHECKED | APPROVED | ISSUE <input checked="" type="checkbox"/> E |
| J.B. | | | J.C. | | |
| 9/12/1993 | | | 28/01/2008 | | |



ROTOLOK LTD

everything under control . . .

1 MILLENNIUM PLACE,
TIVERTON BUSINESS PARK,
TIVERTON, DEVON, EX16 6SB.
Tel: 01884 232232

This drawing is the property of ROTOLOK LTD and is loaned subject to the condition that it shall not be reproduced, copied, loaned or submitted to others without our consent.

| | |
|---|--|
| E | SIEMENS Z38 GEARBOX NOW FITTED. DIMENSIONS 15 NOW 223, 272 NOW 281 (25/01/2008 - M.D.J.) |
| D | OPTIONS & ROTOSPEED ADDED (1442) |
| C | BOSS DIMENSION HAS DECREASED (981) |
| B | IMPERIAL EQUIVALENT INLET (266) |

AMENDMENTS