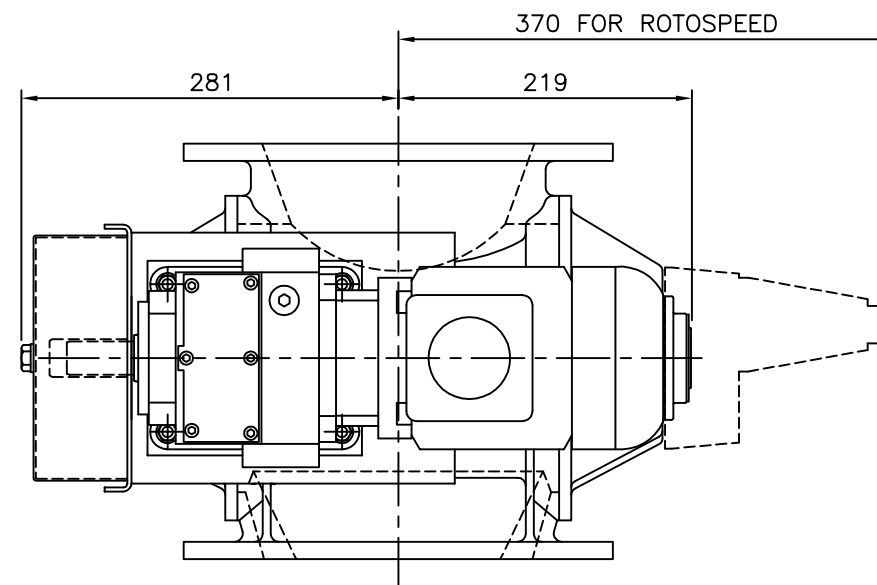
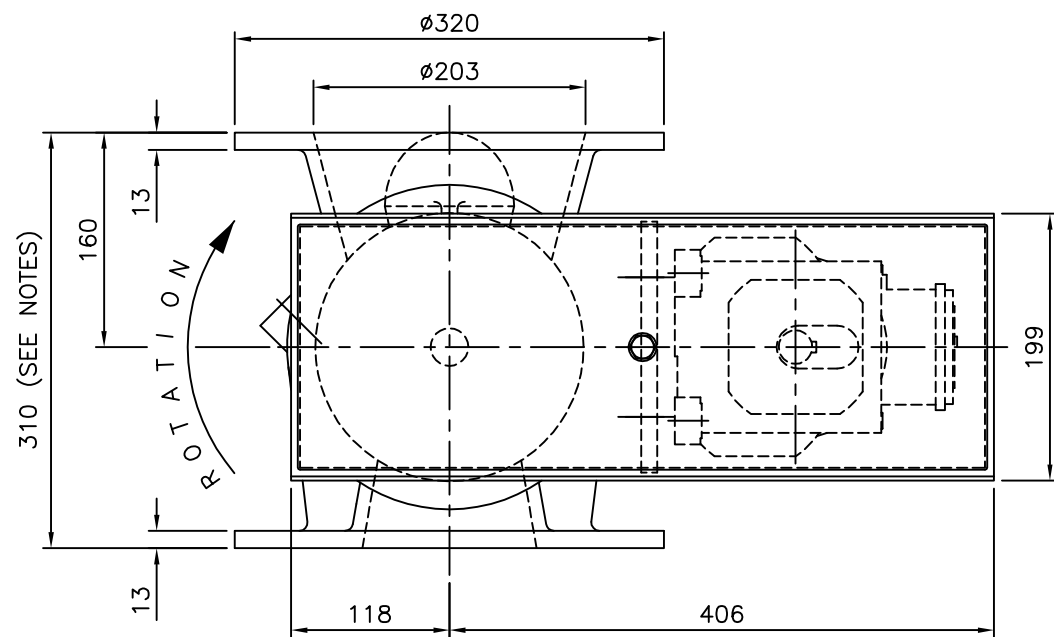
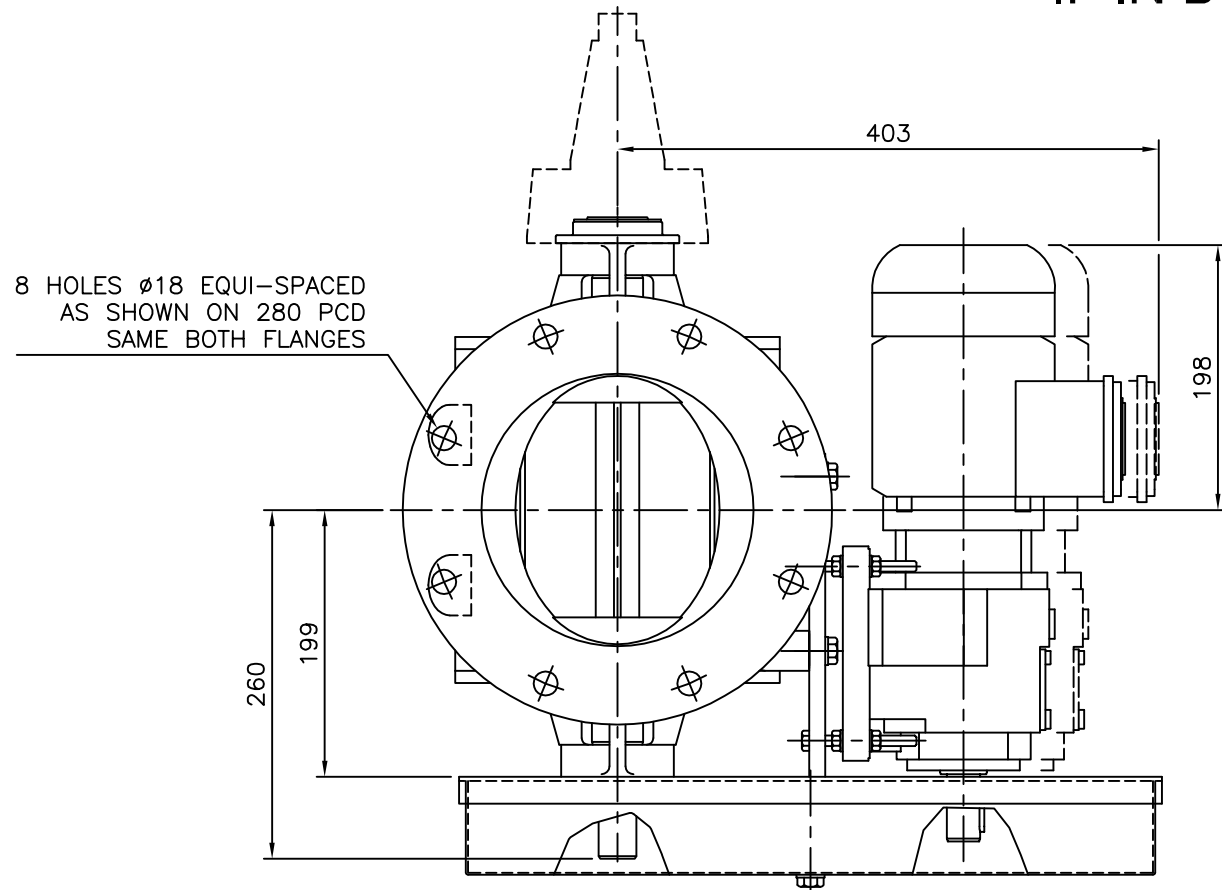


IF IN DOUBT ASK



OPTIONS :

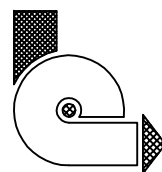
- 1: FOR EXPOSED INLET OR OUTLET SAFETY GUARDS ARE REQUIRED.
- 2: 2 OFF 1" BSP (OR NPT) BODY VENT ON NON-DRIVE SIDE.
- 3: 1/8" BSP (OR NPT) AIR PURGED END COVER GLANDS.
- 4: ROTOSPEED SENSOR AS INDICATED.
- 5: INSPECTION DOOR ON NON-DRIVE SIDE (NOT SHOWN) WITH 166 x 50mm APERTURE.

NOTES :

- 1: SIEMENS Z38 0.37kW (1/2 HP) GEARMOTOR.
- 2: VALVE SHAFT $\phi 28$ mm. DRIVE SHAFT $\phi 25$ mm.
- 3: STAINLESS STEEL OVERALL HEIGHT 315mm.

E	WAS OPPERMAN TDM5 GEARMOTOR	δB 20/2/2007
D	OPTIONS & ROTOSPEED ADDED	(1442)
C	OVERALL HEIGHT AMENDED	(1372)
B	IMPERIAL EQUIVALENT INLET	(266)

AMENDMENTS



ROTOLOK LTD

everything under control . . .

1 MILLENNIUM PLACE,
TIVERTON BUSINESS PARK,
TIVERTON, DEVON, EX16 6SB.
Tel: 01884 232232

This drawing is the property of ROTOLOK LTD and is loaned subject to the condition that it shall not be reproduced, copied, loaned or submitted to others without our consent.

ITEM	PART No.	QTY	DESCRIPTION	MATL.	DWG REF
CLIENT			TITLE GENERAL ARRANGEMENT		
MOTORISED STANDARD			200mm ROUND ROTARY VALVE		
SCALE N.T.S.			DRAWING No.		
			10004		
DRAWN			CHECKED	APPROVED	ISSUE <input checked="" type="checkbox"/> E
δB					
1/12/93					