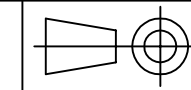
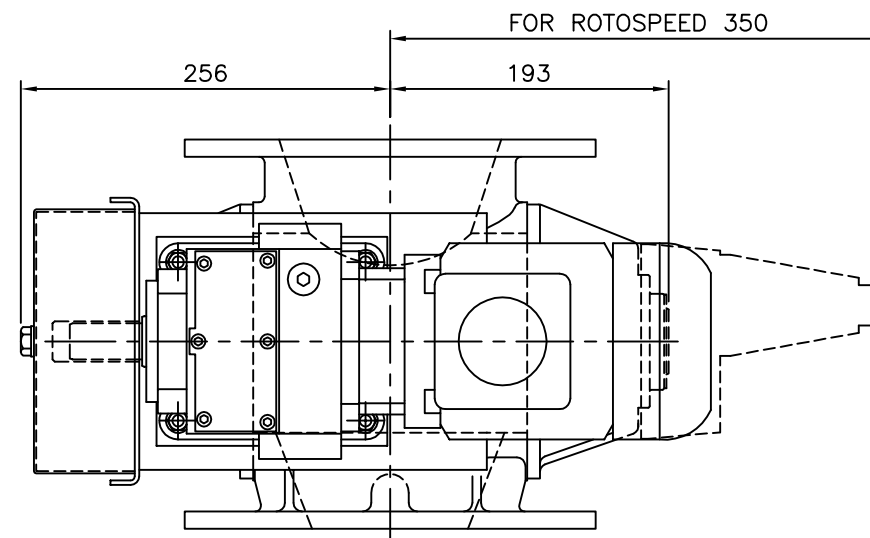
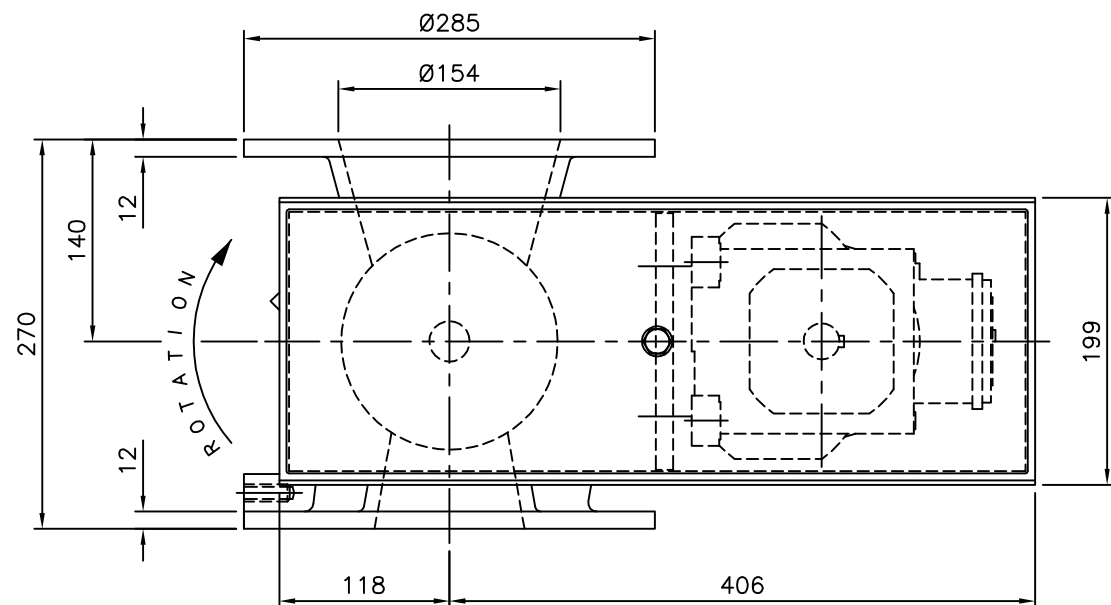
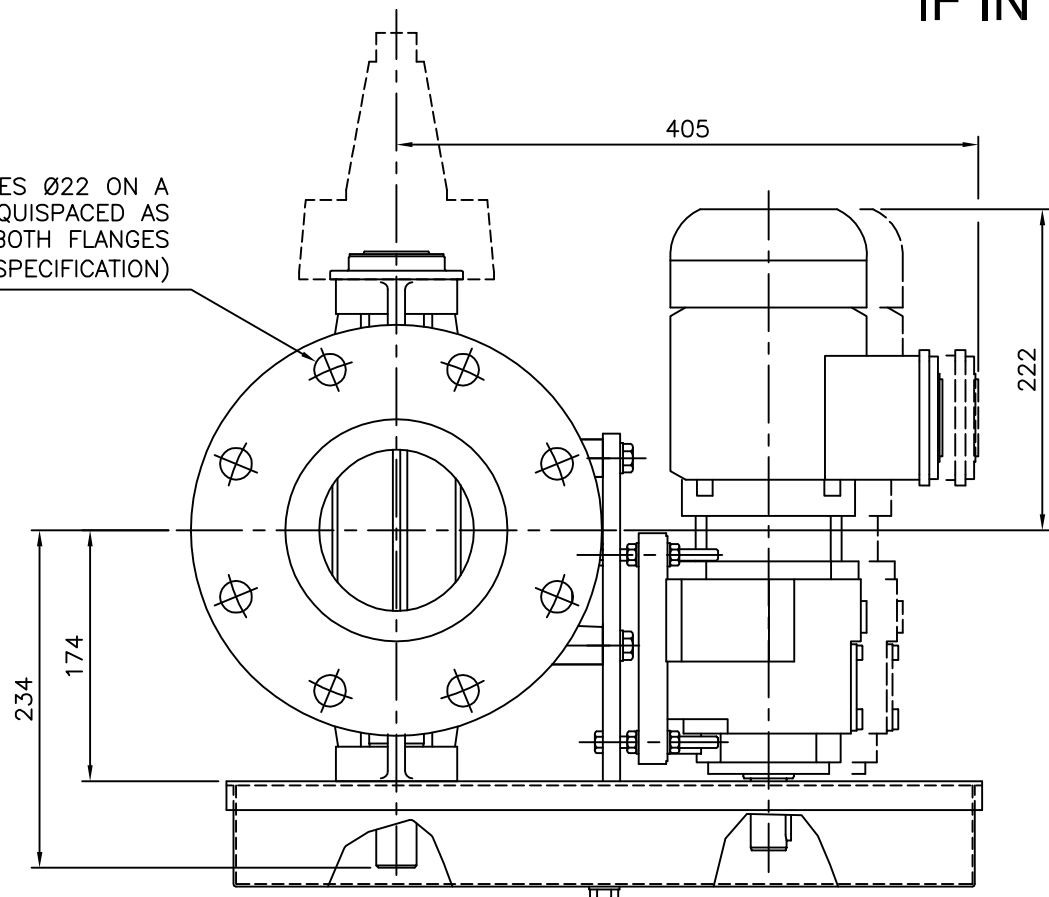


IF IN DOUBT ASK



8 HOLES Ø22 ON A 241 PCD EQUISPACED AS SHOWN ON BOTH FLANGES (150lb ASA SPECIFICATION)



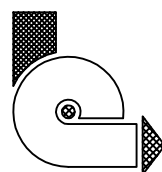
OPTIONS :

- 1: FOR EXPOSED INLET OR OUTLET SAFETY GUARDS ARE REQUIRED.
- 2: 1 OFF 1" BSP (OR NPT) BODY VENT ON NON-DRIVE SIDE.
- 3: 1/8" BSP (OR NPT) AIR PURGED END COVER GLANDS.
- 4: ROTOSPEED SENSOR AS INDICATED.
- 5: INSPECTION DOOR ON NON-DRIVE SIDE (NOT SHOWN) WITH 95 x 84mm APERTURE.

NOTES :

- 1: SIEMENS Z38 0.37kW (1/2 HP) GEARMOTOR.
- 2: VALVE SHAFT Ø28mm. DRIVE SHAFT Ø25mm.

ITEM	PART No.	QTY	DESCRIPTION	MATL.	DWG REF
CLIENT			TITLE GENERAL ARRANGEMENT		
MOTORISED STANDARD			150mm ROUND ROTARY VALVE		
SCALE N.T.S.			DRAWING No.		
			10002		
DRAWN			CHECKED	APPROVED	
D.T.J.H.					
29.03.93				ISSUE <input checked="" type="checkbox"/> C	



ROTOLOK LTD

everything under control . . .

1 MILLENNIUM PLACE,
TIVERTON BUSINESS PARK,
TIVERTON, DEVON, EX16 6SB.
Tel: 01884 232232

This drawing is the property of ROTOLOK LTD and is loaned subject to the condition that it shall not be reproduced, copied, loaned or submitted to others without our consent.

C WAS OPPERMAN TDM5 GEARMOTOR ^{SB} 20/2/2007

B OPTIONS & ROTOSPEED ADDED (1442)

AMENDMENTS