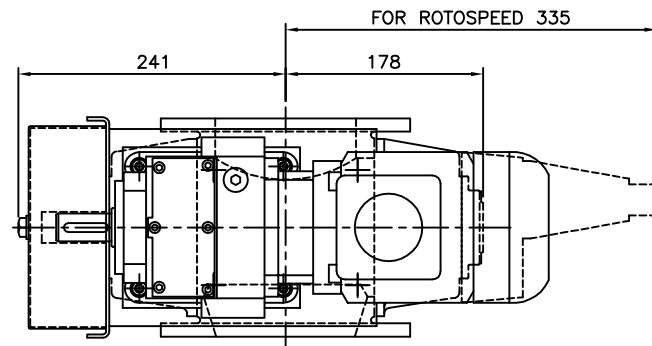
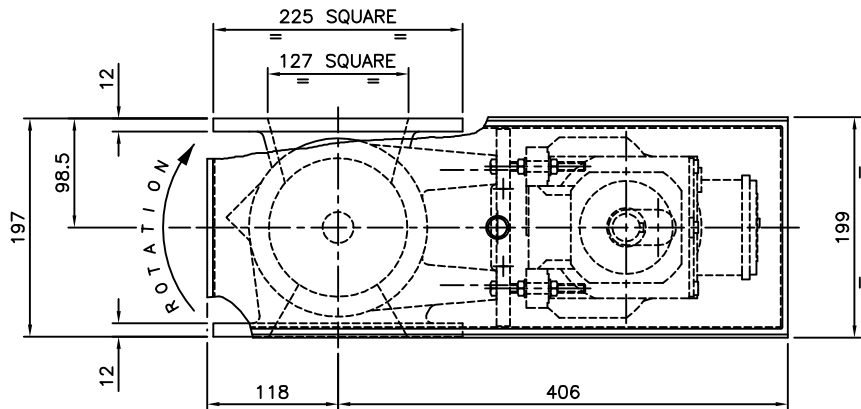
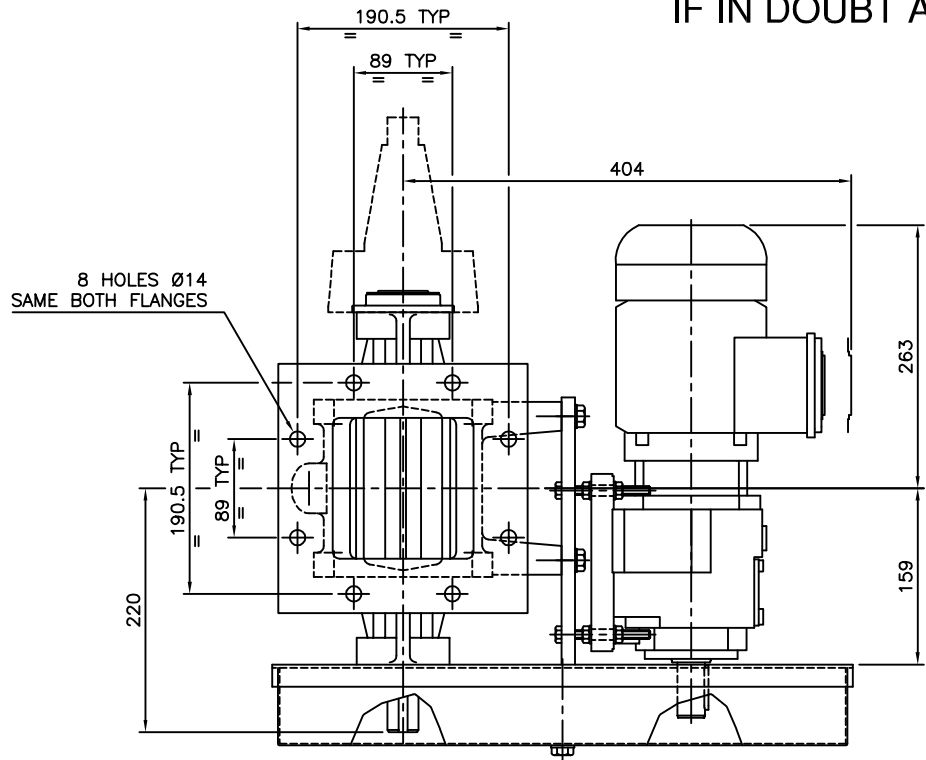


IF IN DOUBT ASK




OPTIONS

1. FOR EXPOSED INLET OR OUTLET SAFETY GUARDS ARE REQUIRED.
2. 1 OFF 1" BSP (OR NPT) BODY VENT ON NON-DRIVE SIDE.
3. 1/8" BSP (OR NPT) AIR PURGED END COVER GLANDS.
4. ROTOSPEED SENSOR AS INDICATED.

NOTES

1. SIEMENS Z38 0.37KW (1/2 HP) GEARMOTOR.
2. VALVE SHAFT Ø28mm. DRIVE SHAFT Ø25mm.

D	SIEMENS Z38 GEARBOX NOW FITTED. DIMENSIONS 405 NOW 404, 195 NOW 263, 195 NOW 178, 232 NOW 241 (11/12/2007 - M.D.J.)
C	OPTIONS & ROTOSPEED ADDED (1442)
B	IMPERIAL EQUIVALENT INLET (266)
AMENDMENTS	



# ROTOLOK LTD

everything under control . . .

1 MILLENNIUM PLACE,  
TIVERTON BUSINESS PARK,  
TIVERTON, DEVON, EX16 6SB.  
Tel: 01884 232232

This drawing is the property of ROTOLOK LTD and is loaned subject to the condition that it shall not be reproduced, copied, loaned or submitted to others without our consent.

ITEM	PART No.	QTY	DESCRIPTION	MATL.	DWG REF
CLIENT			TITLE		
MOTORISED STANDARD			GENERAL ARRANGEMENT		
SCALE N.T.S.			125mm SQUARE ROTARY VALVE		
DRAWN			DRAWING No.		
CHECKED			10001		
APPROVED					
2/11/93			ISSUE <input checked="" type="checkbox"/> D		