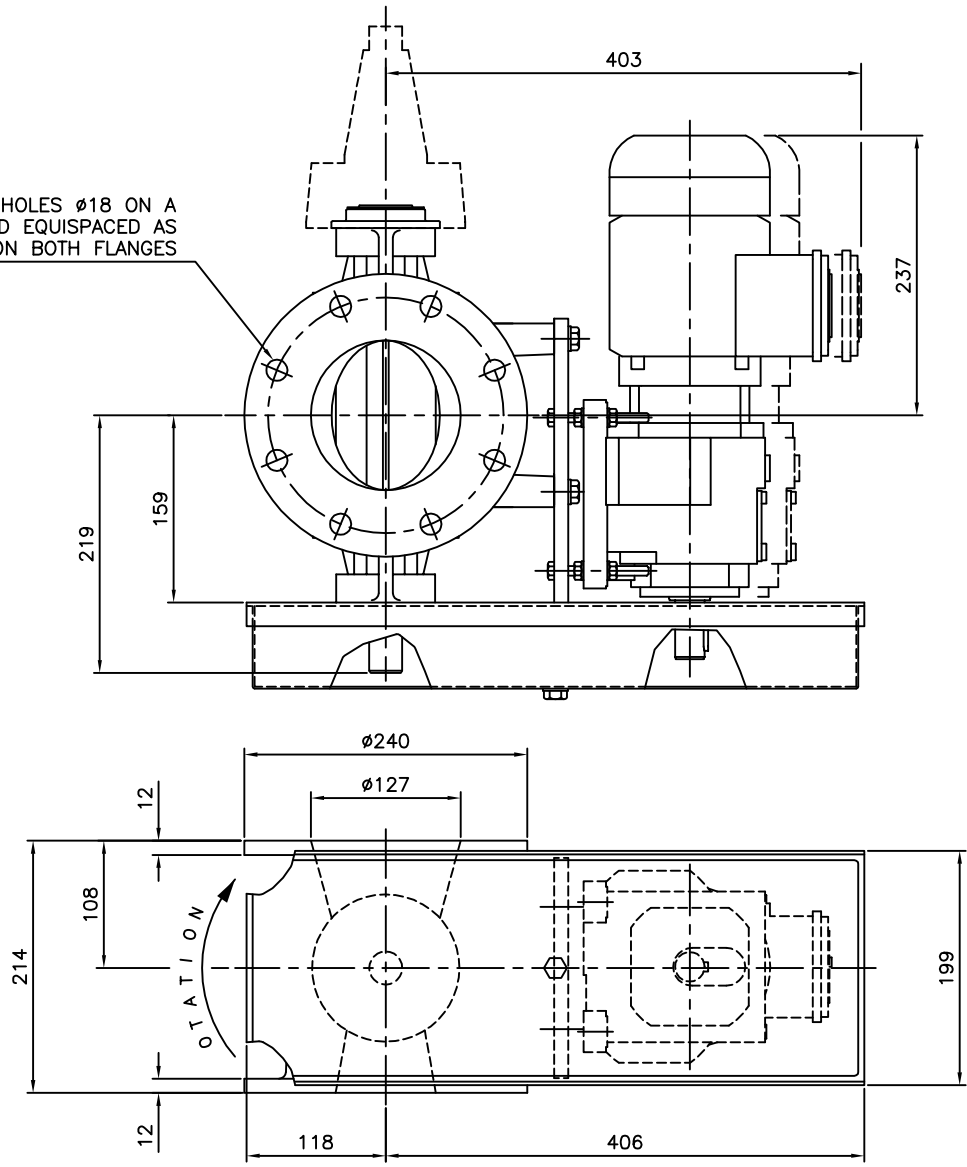


IF IN DOUBT ASK

8 HOLES $\phi 18$ ON A
200 PCD EQUISPACED AS
SHOWN ON BOTH FLANGES

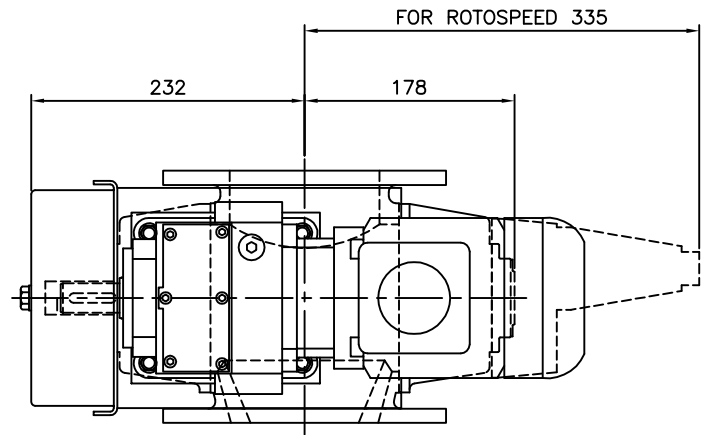


OPTIONS:


- 1: FOR EXPOSED INLET OR OUTLET SAFETY GUARDS ARE REQUIRED.
- 2: 1 OFF BSP (OR NPT) BODY VENT ON NON-DRIVE SIDE.
- 3: 1/8" BSP (OR NPT) AIR PURGED END COVER GLANDS.
- 4: ROTOSPEED SENSOR AS INDICATED.

NOTES:

- 1: SIEMENS Z38 0.37 KW (1/2 HP) GEARMOTOR.
- 2: VALVE SHAFT $\phi 28$ mm.
DRIVE SHAFT $\phi 25$ mm.



E	WAS OPPERMAN TDM5 GEARMOTOR	T.P 21/2/2007
D	OPTIONS & ROTOSPEED ADDED	(1442)
C	ADDITIONAL DIMENSIONS ADDED	(283)
B	SIDE VIEW ADDED	(160)
AMENDMENTS		



ROTOLOK LTD

everything under control . . .

1 MILLENNIUM PLACE,
TIVERTON BUSINESS PARK,
TIVERTON, DEVON, EX16 6SB.
Tel: 01884 232232

This drawing is the property of ROTOLOK LTD and is loaned subject to the condition that it shall not be reproduced, copied, loaned or submitted to others without our consent.

ITEM	PART No.	QTY	DESCRIPTION	MATL.	DWG REF
CLIENT			TITLE		
STANDARD MOTORISED			GENERAL ARRANGEMENT 125mm ROUND ROTARY VALVE		
SCALE N.T.S.			DRAWING No.		
			10000		
			ISSUE <input checked="" type="checkbox"/> E		
DRAWN		CHECKED	APPROVED		
D.T.J.H.		dB			
03.06.93		4/3/94			